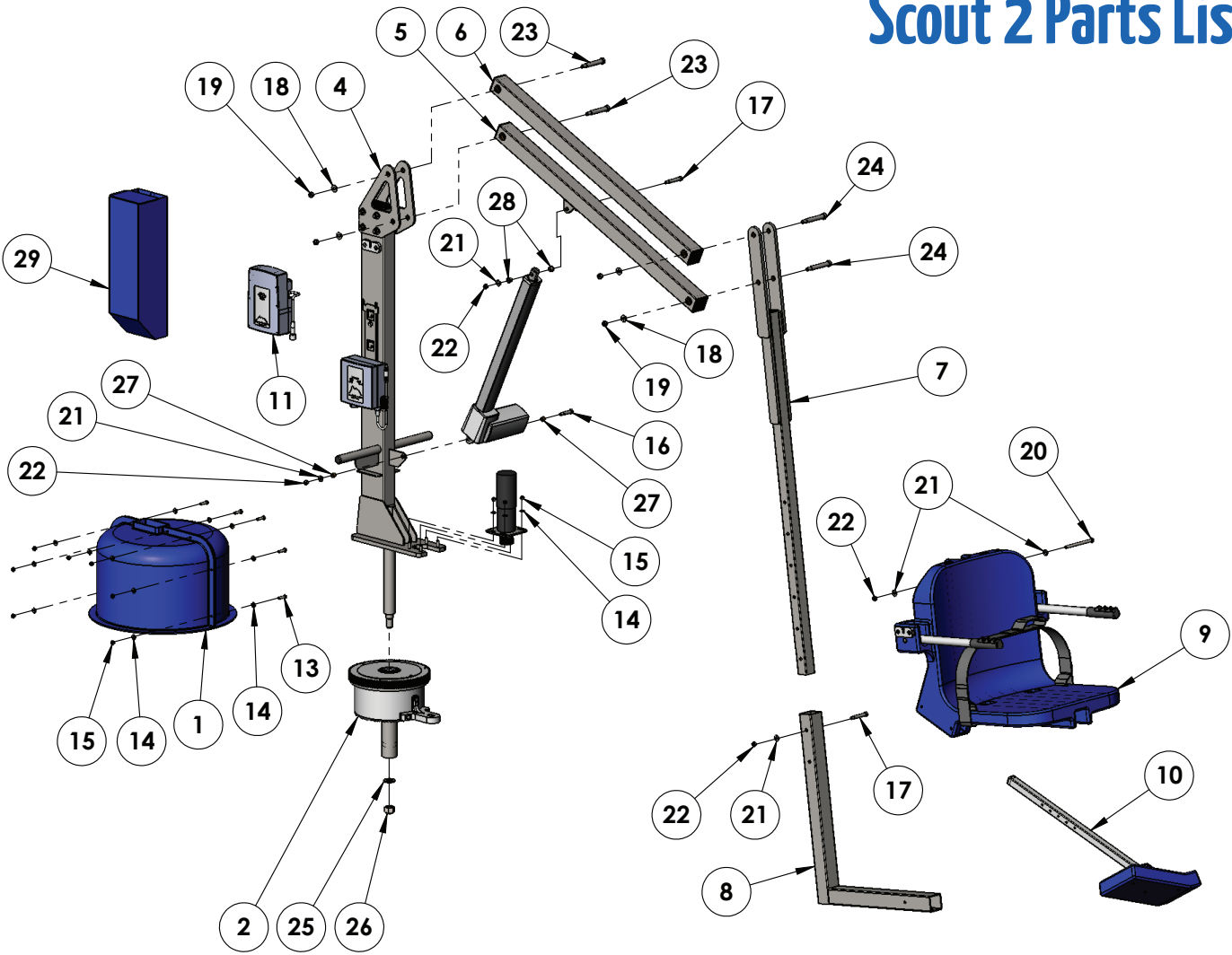


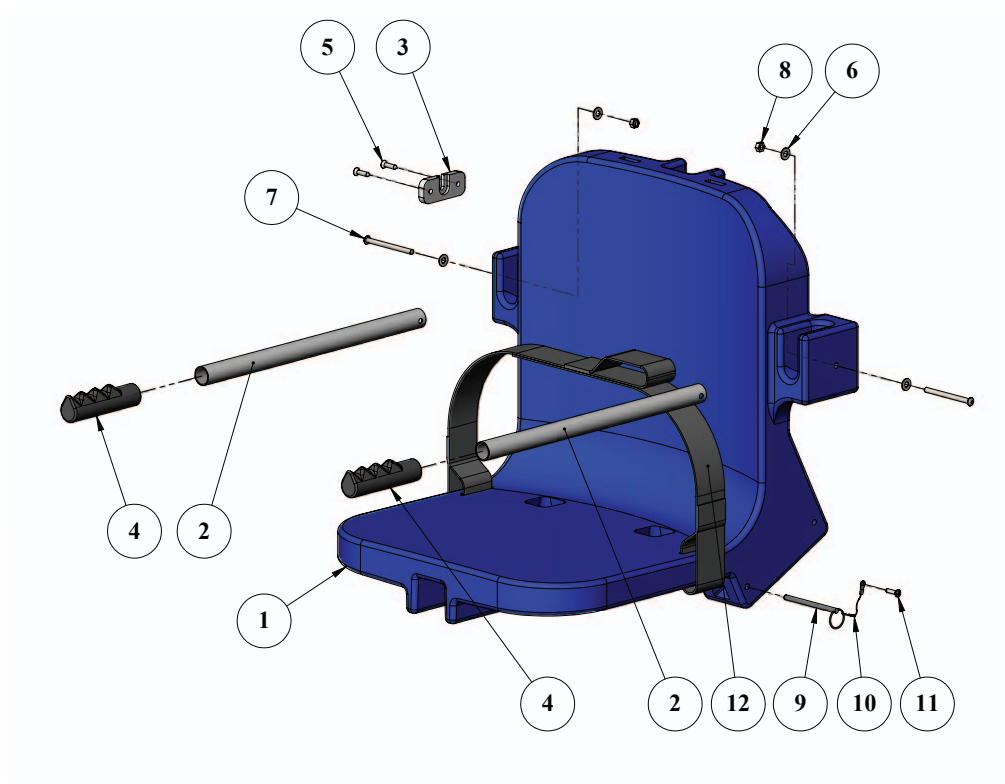
Scout 2 Parts List



ITEM #	QTY	PART #	DESCRIPTION
1	1	P-920	PLASTIC SHROUD
2	1	SCT-200-61	BASE ASSEMBLY
3	1	SCT-300-10	MOTOR ASSEMBLY
4	1	SCT-400-46	MAST ASSEMBLY
5	1	SCT-500-00	LIFTING ARM ASSEMBLY
6	1	SCT-600-00	CONTROL ARM ASSEMBLY
7	1	SCT-700A-00	SEAT ARM ASSEMBLY
8	1	REV-800-20	CHAIR CRADLE ASSEMBLY
9	1	SA-0904CA-A	18" CHAIR ASSEMBLY
10	1	F-0904FRA	FOOTREST ASSEMBLY
11	1	VCP100-29800	24V BATTERY
12	1	VT1000-400MM	400MM ACTUATOR
13	7	BH 1/4 X 1	1/4-20 X 1 HEX BOLT
14	18	WF 1/4	1/4 FLAT WASHER
15	11	NN 1/4	1/4-20 NYLOCK NUT
16	1	BS 3/8 X 1 1/4 18-8	3/8 X 1 1/4 SHOULDER BOLT

ITEM #	QTY	PART #	DESCRIPTION
17	2	BS 3/8 X 2 18-8	3/8 X 2 SHOULDER BOLT
18	4	WF 3/8	3/8 FLAT WASHER
19	4	NN 3/8	3/8-16 NYLOCK NUT
20	1	BH 5/16 X 4 1/2	5/16-18 X 4 1/2 HEX BOLT
21	5	WF 5/16	5/16 FLAT WASHER
22	4	NN 5/16	5/16-18 NYLOCK NUT
23	2	BS 1/2 X 2 3/4 18-8	1/2 X 2 3/4 SHOULDER BOLT
24	2	BS 1/2 X 3 18-8	1/2 X 3 SHOULDER BOLT
25	1	WFC 3/4	3/4 CUSTOM WASHER
26	1	NN 3/4	3/4-10 NYLOCK NUT
27	2	BRB SS-1216-6	1/2 X 3/8 X 3/8 BUSHING
28	2	BRB FB-68-3	3/8 X 1/2 X 3/8 X 3/32 BUSHING
29	1	F-BCC-11	BATTERY/CONTROL BOX COVER

Seat Assembly Parts List



ITEM #	QTY	PART #	DESCRIPTION
1	1	P-901	CHAIR, PLASTIC, 18" BLUE
2	2	P-2100FLA-38	CHAIR II ARMREST TUBE
3	1	P-1208HSB	BRACKET, PLASTIC, HANDSET BRACKET
4	2	RUBBER HAND GRIPS	GRIP, RUBBER HAND GRIP
5	2	SFL 12 X 3/4	SCREW, 316 SS, #12 X 3/4", FHSMS
6	4	WF 1/4	WASHER, FLAT, 1/4, 316 SS
7	2	BB 1/4 X 3-1/4	BOLT, 316 SS, 1/4-20 X 3 1/4 BHSCS
8	2	NN 1/4	NUT, 316 SS, NYLOCK, 1/4"-20
9	1	COTTER PIN, 1/4 X 3 1/4	PIN, COTTERLESS PIN, 18-8 SS, 1/4 X 3 3/4
10	1	LANYARD	LANYARD, FOR FOOTREST PIN, SS
11	1	SPH 10 X 3/4	SCREW, 316 SS, #10 X 3/4", PHSMS
12	1	F-38SB	SEATBELT, 2" WIDE W/ VELCRO