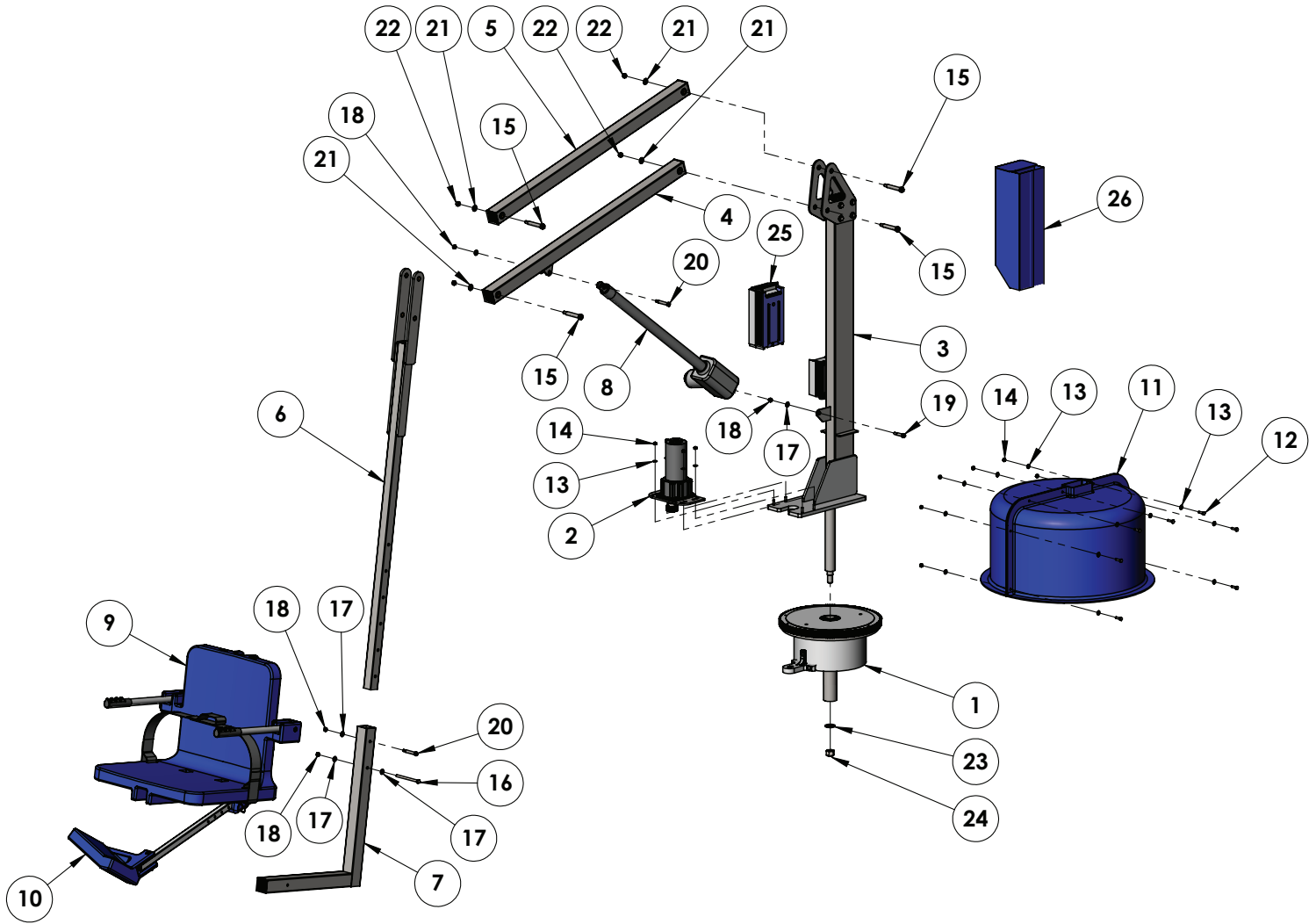


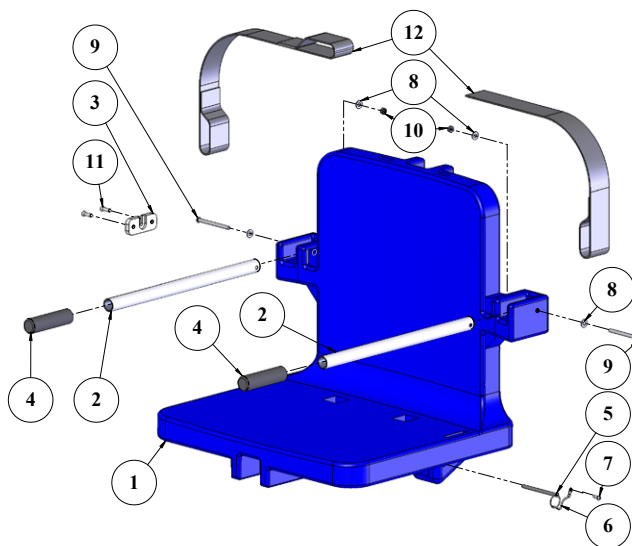
Revolution Parts List



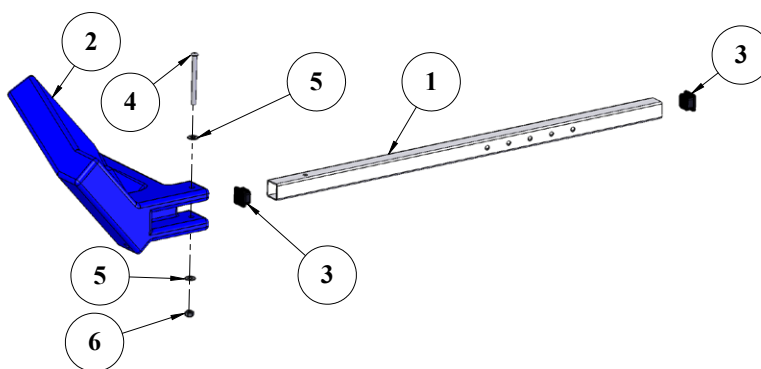
ITEM #	QTY	PART #	DESCRIPTION
1	1	REV-200-95	BASE ASSEMBLY
2	1	REV-300-40	ROTATE MOTOR ASSEMBLY
3	1	REV-400-70	MAST ASSEMBLY
4	1	REV-500-10	LIFTING ARM ASSEMBLY
5	1	REV-600-10	CONTROL ARM ASSEMBLY
6	1	REV-700-30	CHAIR ARM ASSEMBLY
7	1	REV-800-20	CHAIR CRADLE ASSEMBLY
8	1	340643-00	LINAK, 600MM ACTUATOR
9	1	SA-0904WDCAB	22" WIDE SEAT ASSEMBLY
10	1	F-0904FRA	FOOTREST ASSEMBLY
11	1	P-931	BLUE PLASTIC SHROUD
12	7	BH 1/4 X 1	BOLT, 316 SS, 1/4-20 X 1 HCS
13	18	WF 1/4	WASHER, FLAT, 1/4, 316 SS
14	11	NN 1/4	NUT, 316 SS, NYLOCK, 1/4-20
15	4	BS 1/2 X 2 3/4 18-8	BOLT, 18-8 SS, 1/2 X 2 3/4 SHOULDER, 3/8-16 THREAD

ITEM #	QTY	PART #	DESCRIPTION
16	1	BH 5/16 X 4 1/2	BOLT, 316 SS, 5/16-18 X 4 1/2 HCS
17	5	WF 5/16	WASHER, FLAT, 5/16, 316 SS
18	4	NN 5/16	NUT, 316 SS, NYLOCK, 5/16-18
19	1	BS 3/8 X 1 1/4 18-8	BOLT, 18-8 SS, 3/8 X 1 1/4 SHOULDER, 5/16-18 THREAD
20	2	BS 3/8 X 2 18-8	BOLT, 18-8 SS, 3/8 X 2 SHOULDER, 5/16-18 THREAD
21	4	WF 3/8	WASHER, FLAT, 3/8, 316 SS
22	4	NN 3/8	NUT, 316 SS, NYLOCK, 3/8-16
23	1	WFC 3/4	WASHER, FLAT, 3/4, 304 SS, CUSTOM
24	1	NN 3/4	NUT, 316 SS, NYLOCK, 3/4-10
25	1	BAJ1-U022-00	24 VOLT LINAK BATTERY
26	1	F-BCC-11	BATTERY/CONTROL BOX COVER

Chair & Footrest Parts List



ITEM #	QTY	PART #	DESCRIPTION
1	1	P-905B	CHAIR, PLASTIC, 22", BLUE
2	2	P-2100FLA-38	CHAIR II ARMREST TUBE
3	1	P-1208HSB	BRACKET, PLASTIC, HANDSET BRACKET
4	2	RUBBER HAND GRIPS	GRIP, RUBBER HAND GRIP
5	1	COTTER PIN, 1/4 X 3 1/4	PIN, COTTERLESS PIN, 18-8 SS, 1/4 X 3 3/4
6	4	LANYARD	LANYARD, FOR FOOTREST PIN, SS
7	1	SPH 10 X 3/4	SCREW, 316 SS, #10 X 3/4", PHSMS
8	4	WF 1/4	WASHER, FLAT, 1/4, 316 SS
9	2	BB 1/4 X 3-1/4	BOLT, 316 SS, 1/4-20 X 3 1/4 BHSCS
10	2	NN 1/4	NUT, 316 SS, NYLOCK, 1/4"-20
11	2	SFL 12 X 3/4	SCREW, 316 SS, #12 X 3/4 FHSMS
12	1	F-38SB	SEAT BELT, 2" BLACK W/VELCRO



ITEM #	QTY	PART #	DESCRIPTION
1	1	P-2035LEG REV B	LEG/FOOTREST TUBE
2	1	P-910PL	FOOTREST, PLASTIC, BLUE
3	2	SQR-1-14-20	CAP, PLASTIC, 1"X1" SQUARE
4	1	BB 1/4 X 3	BOLT, 316 SS, 1/4-20 X 3 BHSCS
5	2	WF 1/4	WASHER, FLAT, 1/4, 316 SS
6	1	NN 1/4	NUT, 316 SS, NYLOCK, 1/4"-20