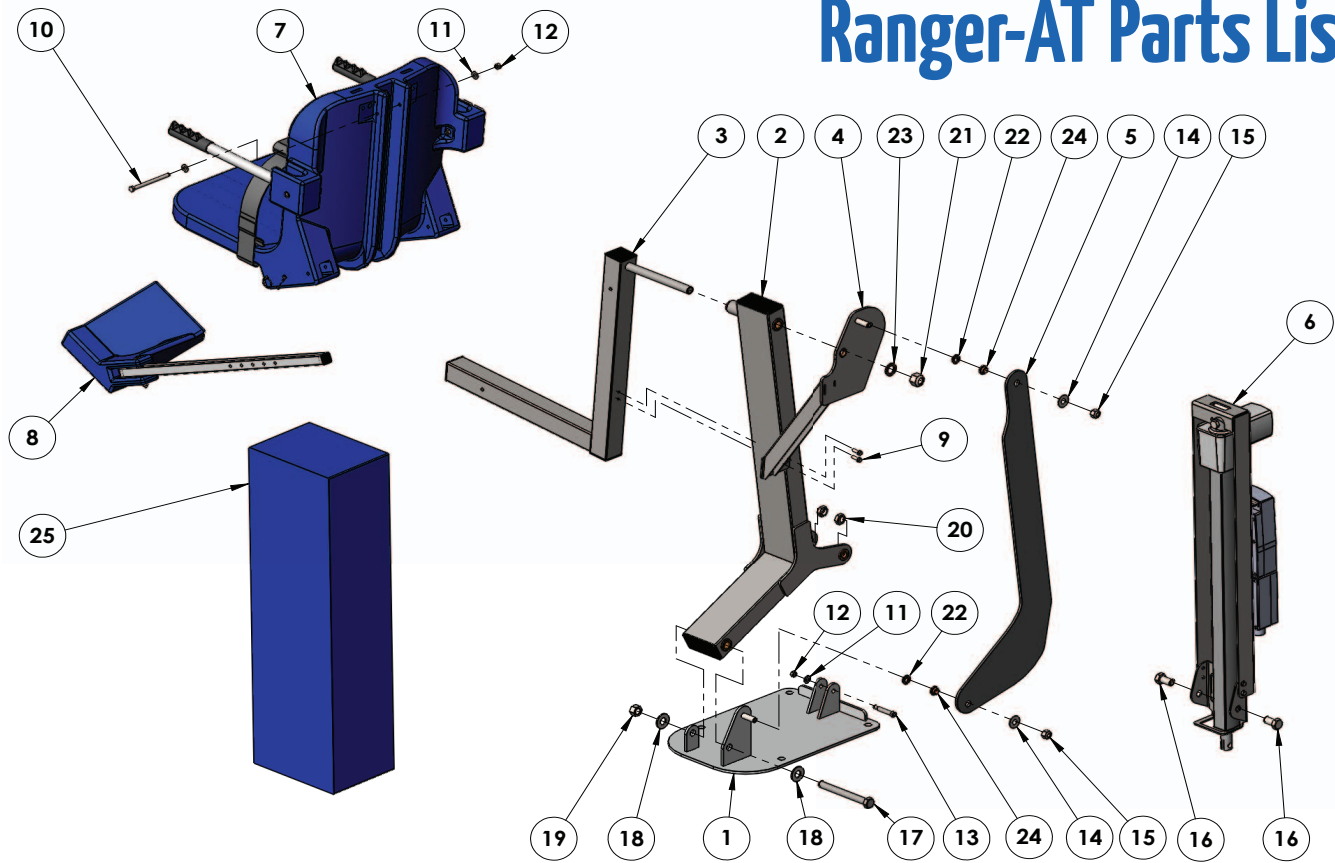


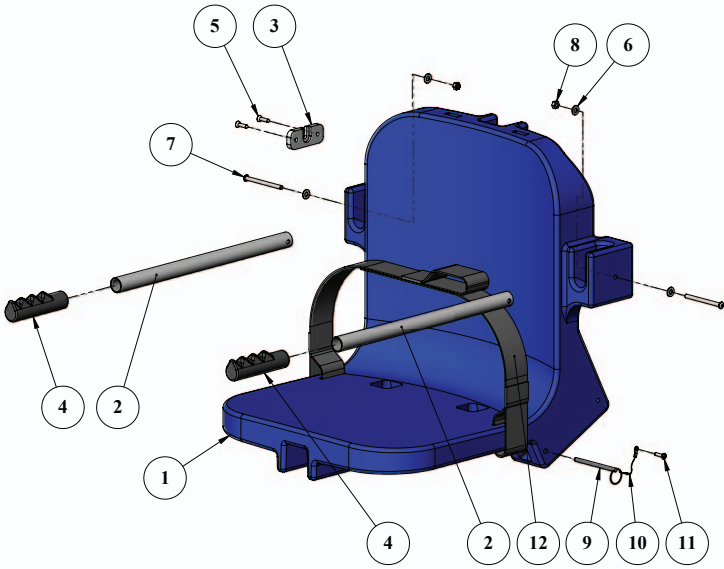
Ranger-AT Parts List



ITEM #	QTY	PART #	DESCRIPTION
1	1	PPB-100-11	BASE ASSEMBLY
2	1	PPF-200-11	MAIN FRAME ASSEMBLY
3	1	A-2012ARM-R1	CHAIR ARM ASSEMBLY
4	1	A-2012SRS2	SEAT SUPPORT ASSEMBLY
5	1	L-2014FBL-PAT-R2	CONTROL ARM
6	1	UHF-RV-02	UNIVERSAL ACTUATOR ASSEMBLY
7	1	SA-0904CA-A	18" CHAIR ASSEMBLY
8	1	F-0904FRA	FOOTREST ASSEMBLY
9	2	BHW 1/4 X 3/4	BOLT, 316 SS, 1/4-20 X 3/4 HWH
10	1	BH 5/16 X 4-1/2	BOLT, 316 SS, 5/16-18 X 4 1/2 HCS
11	3	WF 5/16	WASHER, FLAT, 5/16, 316 SS
12	2	NN 5/16	NUT, 316 SS, NYLOCK, 5/16"-18
13	1	BS 3/8 X 1-3/4 18-8	BOLT, 18-8 SS, 3/8 X 1 3/4 SHOULDER, 5/16-18 THREAD

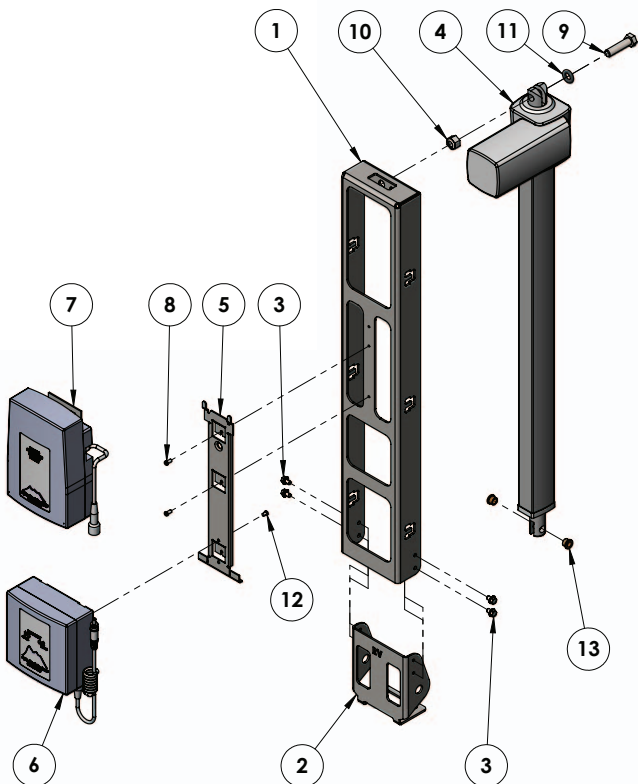
ITEM #	QTY	PART #	DESCRIPTION
14	2	WF 1/2	WASHER, FLAT, 1/2, 316 SS
15	2	NN 1/2	NUT, 316 SS, NYLOCK, 1/2"-13
16	2	BH 5/8 X 1-1/4	BOLT, 316 SS, 5/8-11 X 1 1/4 HCS
17	1	BH 5/8 X 5-7/8 18-8	BOLT, 18-8 SS, 5/8-11 X 5 7/8 HCS, CUSTOM
18	2	WF 5/8	WASHER, FLAT, 5/8, 316 SS
19	1	NN 5/8	NUT, 316 SS, NYLOCK, 5/8"-11
20	2	NNJ 5/8	NUT, 316 SS, NYLOCK, 5/8"-11, JAM NUT
21	1	NN 3/4	NUT, 316 SS, NYLOCK, 3/4"-10
22	2	THRUST WASHER, 1/2, BRONZE	WASHER, BRONZE, 1/2", TT-1001-1
23	1	THRUST WASHER, 3/4, BRONZE	WASHER, BRONZE, 3/4", TT-1205-1
24	2	BRB FL-50-3	BUSHING, BRONZE FLANGE, 1/2 X 5/8 X 3/8 X 1/8
25	1	F-45ACB-C	COVER, ACTUATOR, WATER RESISTANT

Seat Assembly Parts List



ITEM #	QTY	PART #	DESCRIPTION
1	1	P-901	CHAIR, PLASTIC, 18" BLUE
2	2	P-2100FLA-38	CHAIR II ARMREST TUBE
3	1	P-1208HSB	BRACKET, PLASTIC, HANDSET BRACKET
4	2	RUBBER HAND GRIPS	GRIP, RUBBER HAND GRIPS
5	2	SFL 12 X 3/4	SCREW, 316 SS, #12 X 3/4", FHSMS
6	4	WF 1/4	WASHER, FLAT, 1/4, 316 SS
7	2	BB 1/4 X 3-1/4	BOLT, 316 SS, 1/4-20 X 3 1/4 BHSCS
8	2	NN 1/4	NUT, 316 SS, NYLOCK, 1/4"-20
9	1	COTTER PIN, 1/4 X 3 1/4	PIN, COTTERLESS PIN, 18-8 SS, 1/4 X 3 3/4
10	1	LANYARD	LANYARD, FOR FOOTREST PIN, SS
11	1	SPH 10 X 3/4	SCREW, 316 SS, #10 X 3/4", PHSMS
12	1	F-38SB	SEAT BELT, 2" BLACK W/ VELCRO

Actuator Assembly Parts List



ITEM #	QTY	PART #	DESCRIPTION
1	1	UHF-101-02	UNIVERSAL ACTUATOR FRAME
2	1	UHF-105-01	LT ACTUATOR FRAME BRACKET
3	4	BHW 1/4 X 3/8	1/4"-20 X 3/8" HEX WASHER HEAD BOLT
4	1	VT-1000 600MM PULL	ACTUATOR, 600MM, PULL, VITO
5	1	GT10 (CONTROL BRACKET)	VITO CONTROL BOX BRACKET
6	1	VCB-LA8 (1-CHANNEL)	VITO CONTROL BOX
7	1	VCP100-29800	VITO 24 VOLT BATTERY
8	2	BSH 10 X 3/8	10-24 X 3/8" SOCKET HEAD CAP SCREW
9	1	BH 1/2 X 2	1/2"-13 X 2" HEX BOLT
10	1	NN 1/2	1/2"-13 NYLOCK NUT
11	1	9452K205	GENERAL PURPOSE O-RING
12	1	MF LPCS	CONTROL BOX SCREW
13	2	BRB FB-68-3	BRONZE FLANGE BUSHING