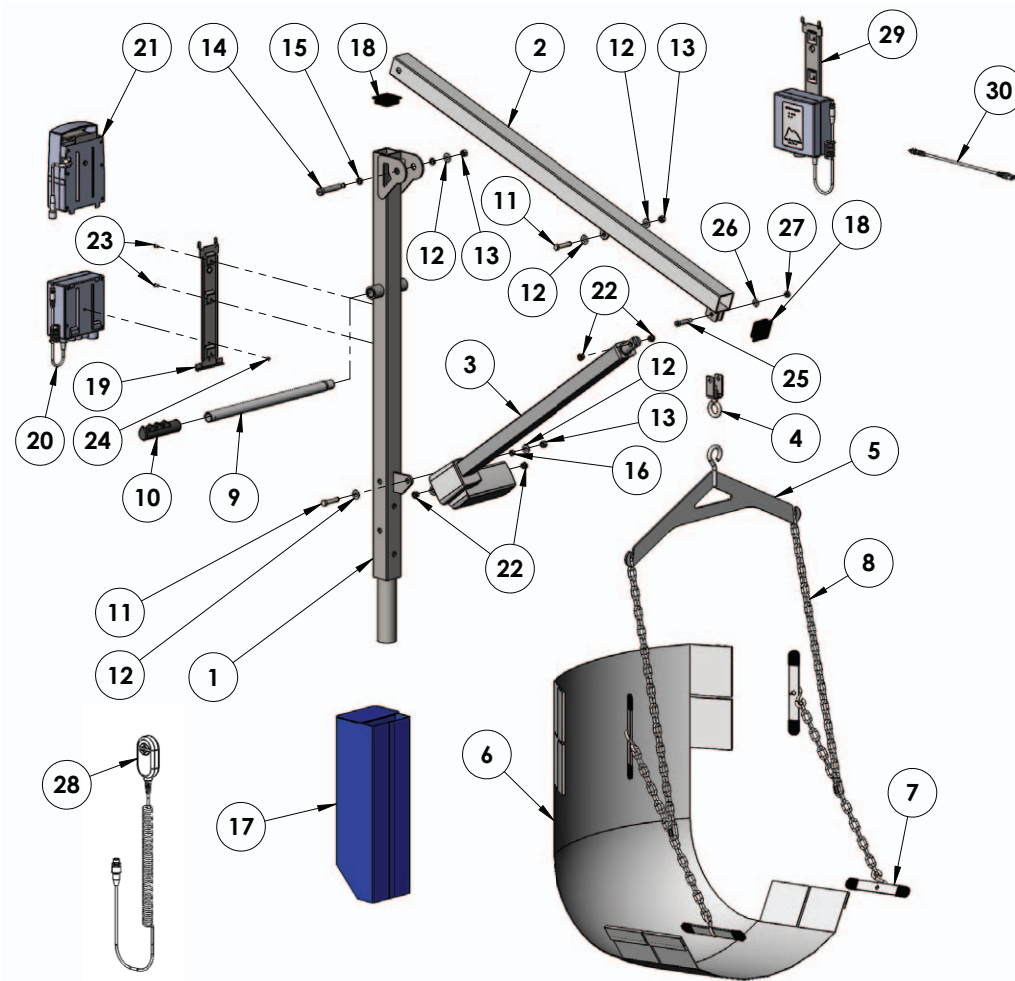


# Parts List



ITEM #	QTY	PART #	DESCRIPTION
1	1	PEZWM-0804PEZMA-01	MAST WELDMENT, POWER EZ 2
2	1	PEZWM-0804PEZBA-01	BOOM WELDMENT, POWER EZ 2
3	1	VT-1000 600MM PUSH	ACTUATOR, 600MM STROKE, PULL, VITO
4	1	F-03EZSWIV	SWIVEL ASSEMBLY, EZ SERIES
5	1	F-038EZHB	EZ HANGER
6	1	F-034EZS	EZ STANDARD SLING
7	1	F-032EZB	SLING BAR ASSEMBLY, SET OF 4
8	1	F-031EZCH	CHAIN SET, EZ
9	1	A-0808EZTB	EZ TURN BAR ASSEMBLY
10	1	RUBBER HAND GRIPS	GRIP, RUBBER HAND GRIP
11	2	BH 3/8 X 1 3/4	BOLT, 316 SS, 3/8-16 X 1 3/4 HCS
12	5	WF 3/8	WASHER, FLAT, 3/8, 316 SS
13	3	NN 3/8	NUT, 316 SS, NYLOCK, 3/8"-16
14	1	BS 1/2 X 2 1/2 18-8	BOLT, 18-8 SS, 1/2 X 2 1/2 SHOULDER, 3/8"-16 THREAD
15	2	BRB SS-1620-3	BUSHING, BRONZE SLEEVE, SS-1620-3, 1/2 X 5/8 X 3/16
16	1	BRB SS-1216-4	BUSHING BRONZE SLEEVE, 3/8 X 1/2 X 1/4
17	1	F-BCC-11	COVER, BATTERY/CONTROL BOX, BLUE
18	2	SQR-2-10-14	2X2 SQUARE BLACK CAP
19	1	GT10 (CONTROL BRACKET)	BRACKET, MOUNTING, VITO
20	1	VCB-LA8 (1-CHANNEL)	CONTROL BOX, SINGLE PORT, VITO
21	1	VCP100-29800	BATTERY, 24V BATTERY PACK, SEALED, LEAD ACID, VITO
22	4	BRB FB-68-3	BUSHING, BRONZE FLANGE, 3/8 X 1/2 X 3/8 X 3/32
23	2	BSH 10 X 3/8	BOLT, 316 SS, 10-24 X 3/8 SHCS
24	1	M5 LPCS	CONTROL BOX SCREW
25	1	BS 3/8 X 1 1/4 18-8	BOLT, 18-8 SS, 3/8 X 1 1/4 SHOULDER, 5/16-18 THREAD
26	1	WF 5/16	WASHER, FLAT, 5/16, 316 SS
27	1	NN 5/16	NUT, 316 SS, NYLOCK, 5/16"-18
28	1	HS10-2P	REMOTE, VITO, 2 BUTTON
29	1	F-044CHV	CHARGER, FOR 24V VITO BATTERY
30	1	F-VTC002	TEST CABLE, FOR 24V VITO BATTERY
31	3	ZIP TIE, 6"	6" CABLE ZIP TIE (NOT PICTURED)