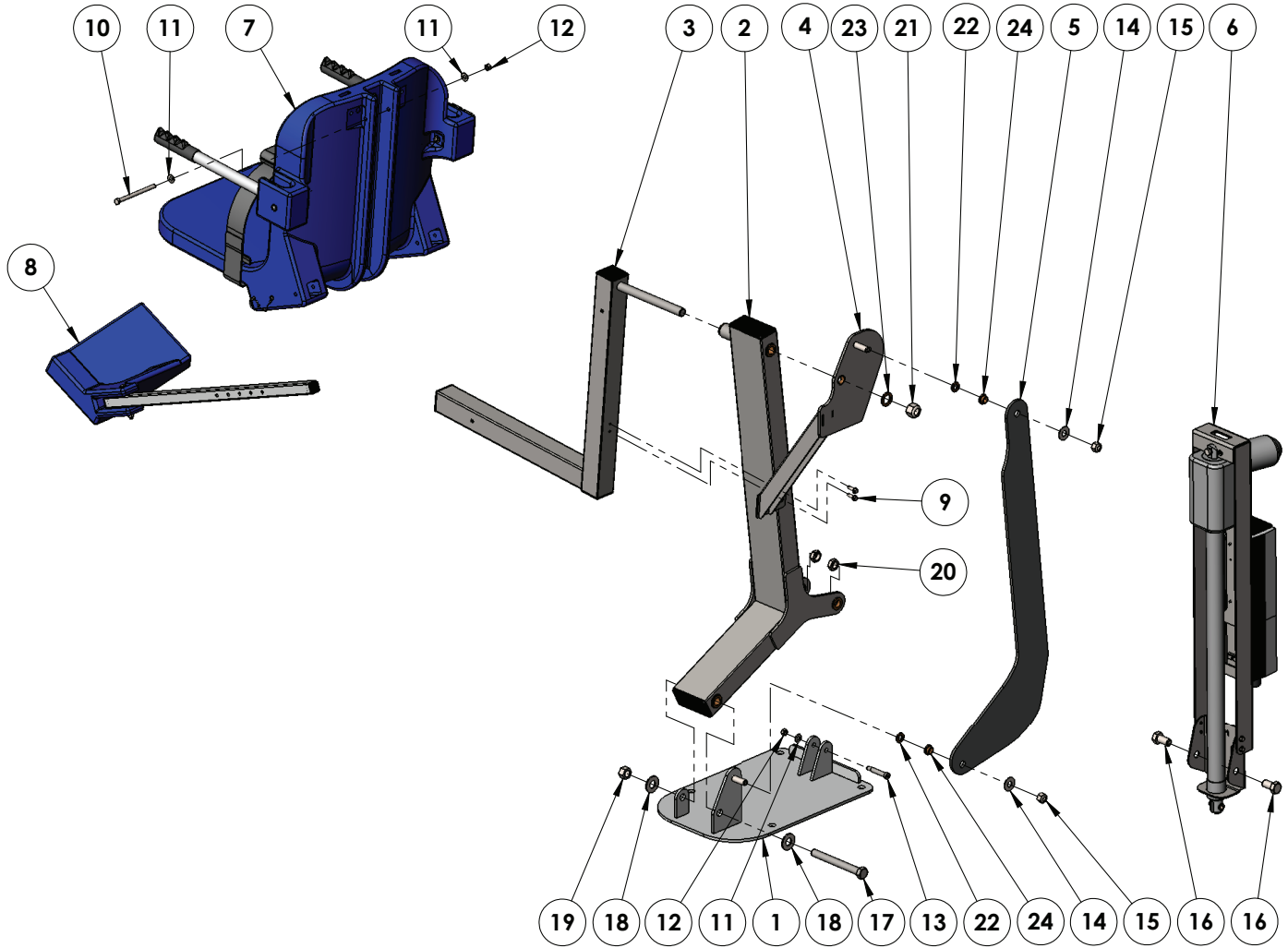


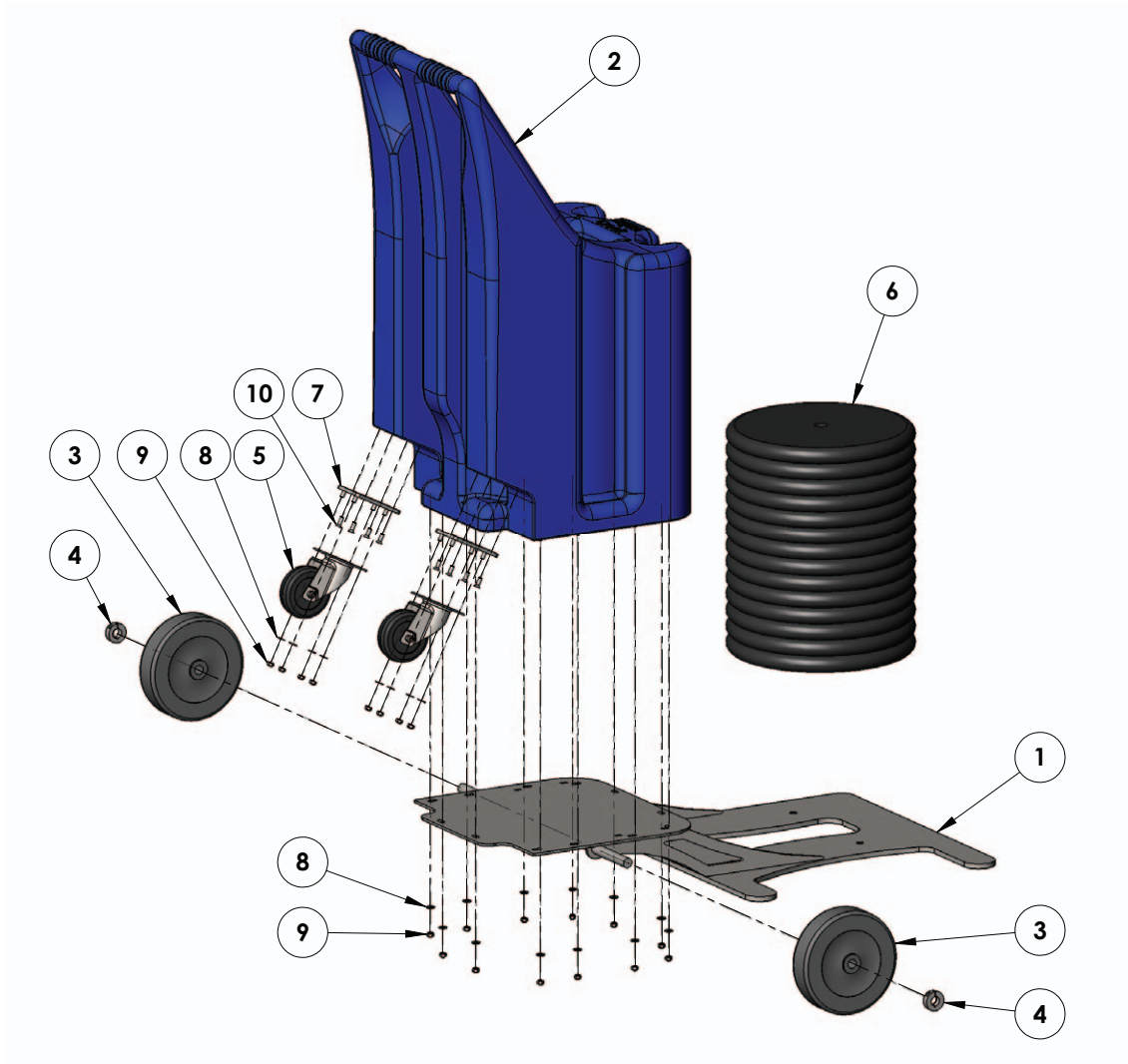
# Portable Pro Pool-AT Lift Parts List



Item #	QTY	PART #	DESCRIPTION
1	1	PPB-100-11	BASE ASSEMBLY
2	1	PPF-200-11	MAIN FRAME ASSEMBLY
3	1	A-2012ARM-R1	CHAIR ARM ASSEMBLY
4	1	A-2012SRS2	SEAT SUPPORT ASSEMBLY
5	1	L-2014FBL-PAT-R2	CONTROL ARM
6	1	UHF-PD-01	DEEP DRAFT ACTUATOR ASSEMBLY
7	1	SA-0904CA-A	CHAIR ASSEMBLY
8	1	F-0904FRA	FOOTREST ASSEMBLY
9	2	BHW 1/4 X 3/4	BOLT, 316 SS, 1/4-20 X 3/4 HWH
10	1	BH 5/16 X 4 1/2	BOLT, 316 SS, 5/16-18 X 4 HCS
11	3	WF 5/16	WASHER, FLAT, 5/16, 316 SS
12	2	NN 5/16	NUT, 316 SS, NYLOCK, 5/16-18
13	1	BS 3/8 X 1 3/4 18-8	BOLT, 18-8 SS, 3/8 X 1 3/4 SHOULDER, 5/16-18 THREAD

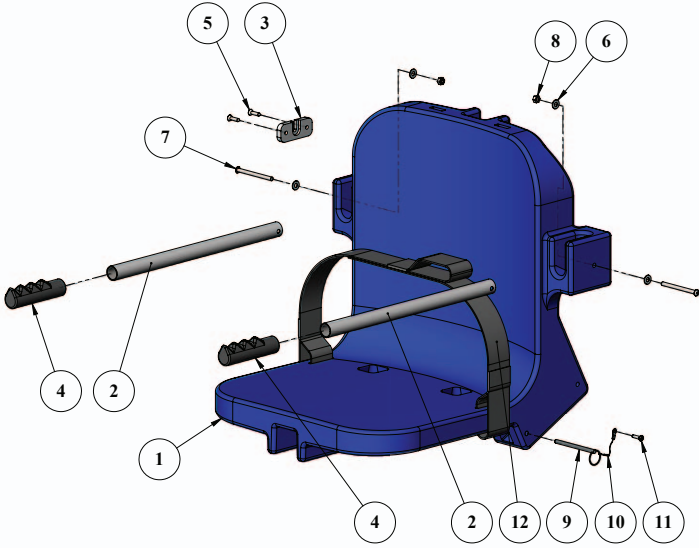
Item #	QTY	PART #	DESCRIPTION
14	2	WF 1/2	WASHER, FLAT, 1/2, 316 SS
15	2	NN 1/2	NUT, 316 SS, NYLOCK, 1/2"-13
16	2	BH 5/8 X 1 1/4	BOLT, 316 SS, 5/8-11 X 1 1/4 HCS
17	1	BH 5/8 X 5 7/8 18-8	BOLT, 18-8 SS, 5/8-11 X 5 7/8 HCS
18	2	WF 5/8	WASHER, FLAT, 5/8, 316 SS
19	1	NN 5/8	NUT, 316 SS, NYLOCK, 5/8"-11
20	2	NNJ 5/8	NUT, 316 SS, NYLOCK, 5/8"-11, JAM
21	1	NN 3/4	NUT, 316 SS, NYLOCK, 3/4"-10
22	2	THRUST WASHER, 1/2, BRONZE	WASHER, BRONZE, 1/2", TT-1001-1
23	1	THRUST WASHER, 3/4, BRONZE	WASHER, BRONZE, 3/4", TT-1205-1
24	2	BRB FL-50-3	BUSHING, BRONZE FLANGE, 1/2 X 5/8 X 3/8 X 1/8

# Portable Pro Pool-AT Cart Parts List



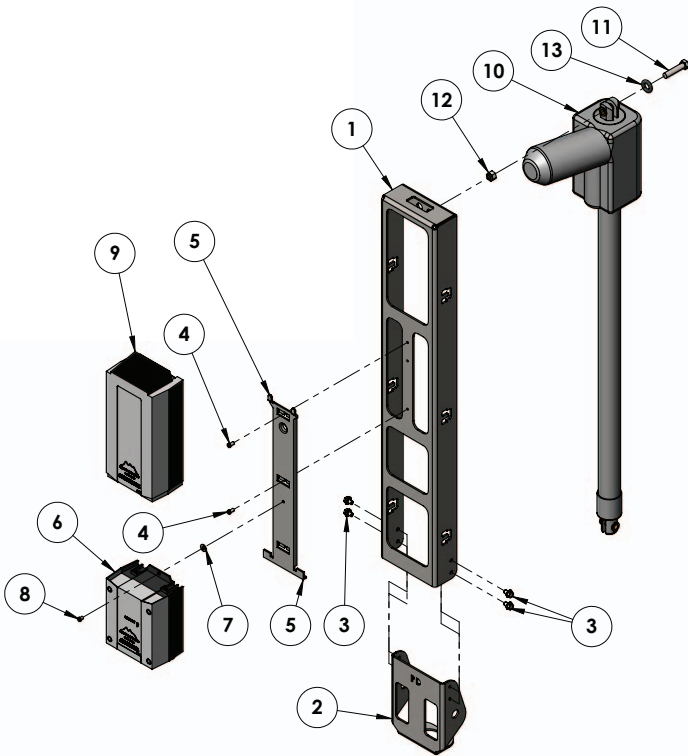
Item #	QTY	PART #	DESCRIPTION
1	1	A-0904PPPF-AT	PORTABLE-AT MAIN FRAME ASSEMBLY
2	1	P-988	PORTABLE-AT HOOD
3	2	5.00008.451	WHEEL, RUBBER, PERFORMA
4	2	LOCK COLLAR 3/4" SS	LOCK COLLAR, SS, SINGLE SPLIT
5	2	2NF100SA	RUBBER TIRE, 4"
6	14	WPS-50	WEIGHT PLATE, ROUND FLAT, 50 LBS
7	2	P-0909PCA3.5	CASTER ADAPTER PLATE
8	20	WF 1/4	WASHER, FLAT, 1/4, 316 SS
9	20	NN 1/4	NUT, 316 SS, NYLOCK, 1/4"-20
10	8	BC 1/4 X 3/4	BOLT, 316 SS, 1/4-20 X 3/4 FHSCS

# Seat Assembly Parts List



ITEM #	QTY	PART #	DESCRIPTION
1	1	P-901	CHAIR, PLASTIC, 18" BLUE
2	2	P-2100FLA-38	CHAIR II ARMREST TUBE
3	1	P-1208HSB	BRACKET, PLASTIC, HANDSET BRACKET
4	2	RUBBER HAND GRIP	GRIP, RUBBER HAND GRIP
5	2	SFL 12 X 3/4	SCREW, 316 SS, #12 X 3/4", FHSMS
6	4	WF 1/4	WASHER, FLAT, 1/4, 316 SS
7	2	BB 1/4 X 3-1/4	BOLT, 316 SS, 1/4-20 X 3 1/4 BHSCS
8	2	NN 1/4	NUT, 316 SS, NYLOCK, 1/4"-20
9	1	COTTER PIN, 1/4 X 3 1/4	PIN, COTTERLESS PIN, 18-8 SS, 1/4 X 3 3/4
10	1	LANYARD	LANYARD, FOR FOOTREST PIN, SS
11	1	SPH 10 X 3/4	SCREW, 316 SS, #10 X 3/4", PHSMS
12	1	F-38SB	SEATBELT, 2" WIDE W/ VELCRO

# Actuator Assembly Parts List



ITEM #	QTY	PART #	DESCRIPTION
1	1	UHF-101-01	UNIVERSAL ACTUATOR FRAME
2	1	UHF-103-00	DEEP DRAFT ACTUATOR FRAME BRACKET
3	4	BHW 1/4 X 3/8	1/4"-20 X 3/8" HEX WASHER HEAD BOLT
4	2	BSH 10 X 3/8	10-24 X 3/8" SOCKET HEAD CAP SCREW
5	1	MBJ2-01	LINAK CONTROL BOX BRACKET
6	1	CBJ2-U022-00	LINAK CONTROL BOX
7	1	WF 10	#10 FLAT WASHER
8	1	M5 LPCS	CONTROL BOX SCREW
9	1	BAJ1-U022-00	LINAK 24 VOLT BATTERY
10	1	340643-00	LINAK ACTUATOR, LA-34
11	1	BH 3/8 X 1 3/4	3/8"-16 X 1 3/4" HEX BOLT
12	1	NN 3/8	3/8"-16 NYLOCK NUT
13	1	9452K205	GENERAL PURPOSE O-RING