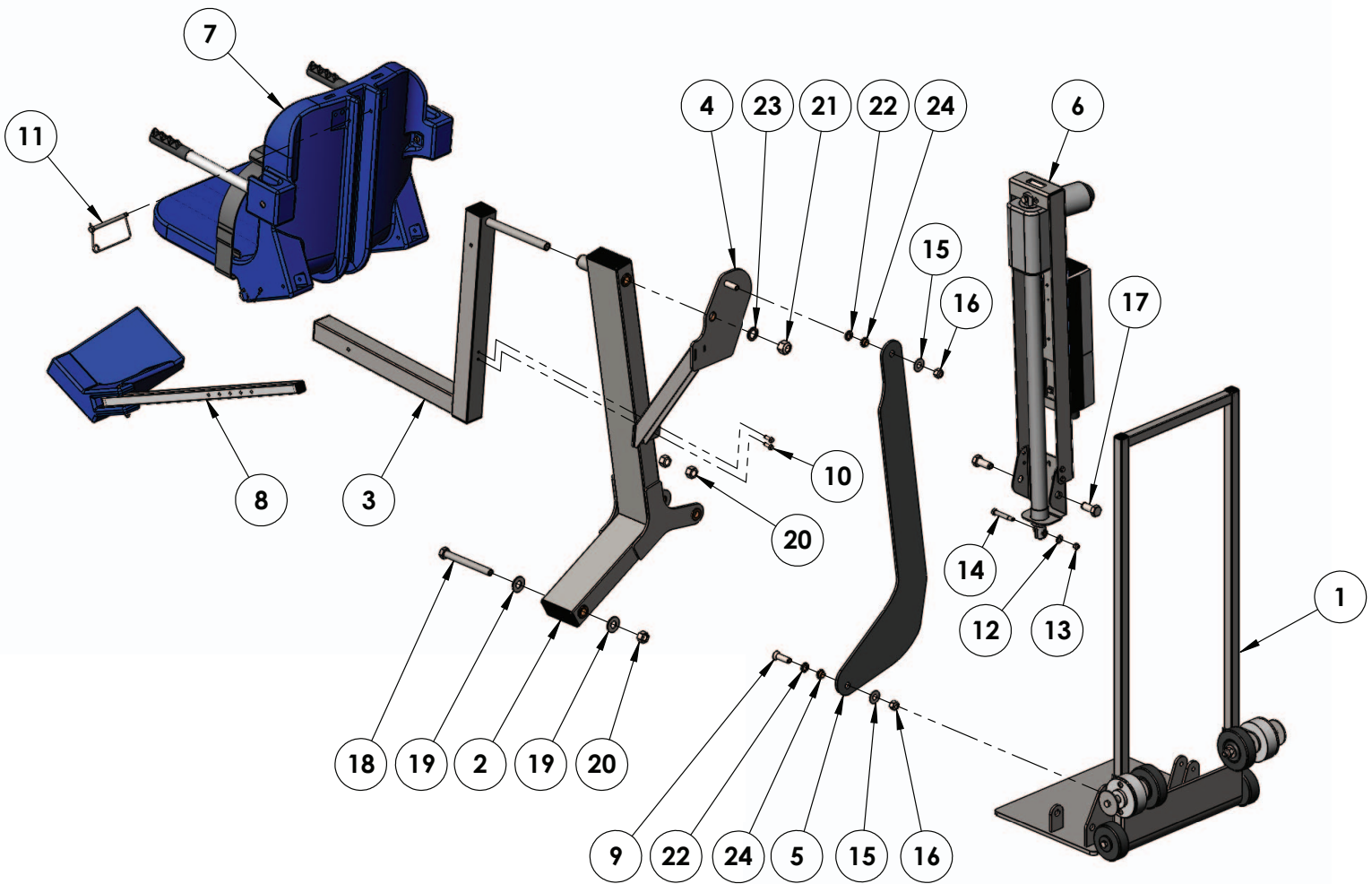


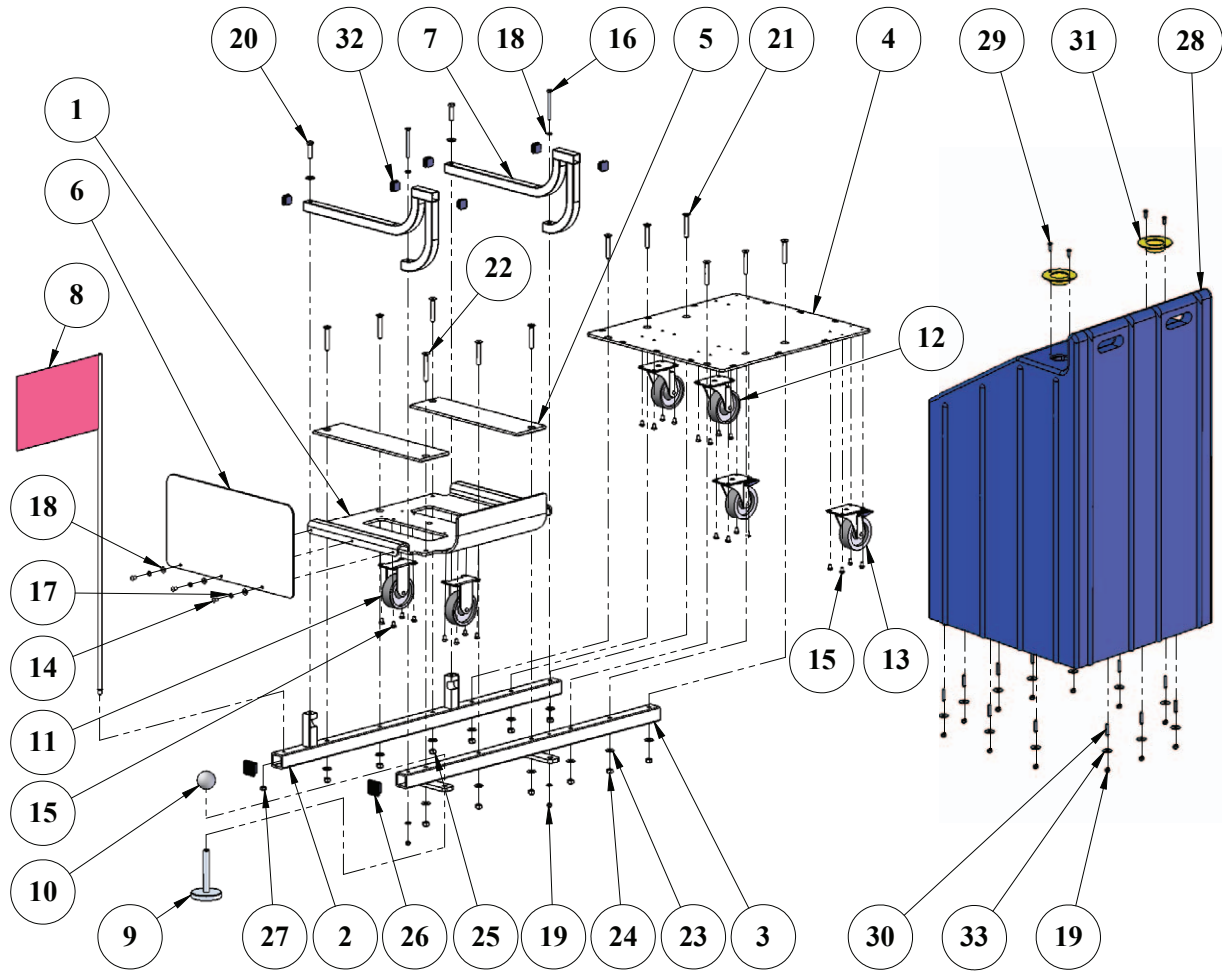
Patriot-AT1 Parts List



Item #	QTY	PART #	DESCRIPTION
1	1	RAT-200-18	PATRIOT-AT ROLL BASE ASSY
2	1	PPF-200-11	PRO POOL-AT MAIN FRAME ASSY
3	1	A-2012ARM-R1	PORTABLE CHAIR ARM ASSY
4	1	A-2012SRS2	PRO POOL SEAT SUPPORT
5	1	L-2014FBL-PAT-R2	RANGER-AT CONTROL ARM
6	1	UHF-PD-02	DEEP DRAFT ACTUATOR FRAME
7	1	SA-0904CA-A	18" CHAIR ASSEMBLY
8	1	F-0904FRA	FOOTREST ASSEMBLY
9	1	PPB-CCB-10	1/2" X 1 3/4" FLATHEAD BOLT
10	2	BHW 1/4 X 3/4	1/4"-20 X 3/4" HEX WASHER HEAD
11	1	SNAP PIN 5/16 X 4 1/2 SS	5/16" X 4 1/2" SNAP PIN
12	1	WF 5/16	5/16" FLAT WASHER
13	1	NN 5/16	5/16"-18 NYLOCK NUT

Item #	QTY	PART #	DESCRIPTION
14	1	BS 3/8 X 1 3/4 18-8	3/8" X 1 3/4" SHOULDER BOLT
15	2	WF 1/2	1/2" FLAT WASHER
16	2	NN 1/2	1/2"-13 NYLOCK NUT
17	2	BH 5/8 X 1 1/2	5/8"-11 X 1 1/2" HEX BOLT
18	1	BH 5/8 X 5 7/8 18-8	5/8"-11 X 5 7/8" HEX BOLT
19	2	WF 5/8	5/8" FLAT WASHER
20	3	NN 5/8	5/8"-11 NYLOCK NUT
21	1	NN 3/4	3/4"-10 NYLOCK NUT
22	2	THRUST WASHER, 1/2, BRONZE	1/2" BRONZE WASHER
23	1	THRUST WASHER, 3/4, BRONZE	3/4" BRONZE WASHER
24	2	BRB FL-50-3	1/2" X 5/8" X 3/8" X 1/8" BRONZE FLANGE BUSHING

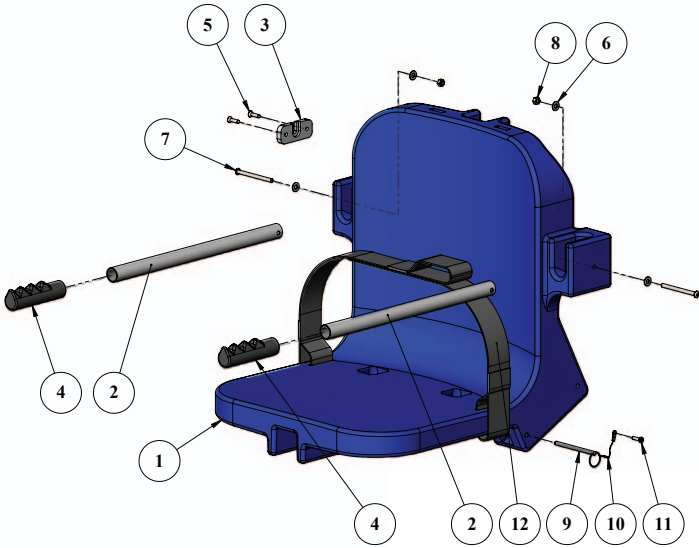
Patriot-AT1 Portable Cart Parts List



Item #	QTY	PART #	DESCRIPTION
1	1	RAT-110-00	AT CART TRAY
2	1	RATWM-120-01	AT CART WELDMENT A
3	1	RATWM-130-00	AT CART WELDMENT B
4	1	P-0138PBP-REVA2	PORTABLE CART BASEPLATE
5	2	P-0138PCPS-REVB	PORTABLE CART PLASTIC SLIDE
6	1	P-0138PCPG-REVB	PORT. CART SIDE GUARD, PLASTIC
7	2	A-0138GFA-REVC	GUIDE-FRAME ASSEMBLY, REV C
8	1	SAFETY FLAG	FLAG, SAFETY FLAG
9	1	1942K76	BRAKE, FOOT
10	1	65137374	PATRIOT BRAKE HANDLE
11	2	2.03408.471	CASTER, 304 SS, FIXED 3 1/2"
12	2	2.03456.471	CASTER, 304 SS, SWIVEL 3 1/2"
13	2	2.03456.471BRK2	CASTER, 304 SS, 3-1/2" WITH BRAKE
14	3	BB 1/4 X 1/2	BOLT, 316 SS, 1/4-20 X 1/2 BHSCS
15	24	BHW 1/4 X 3/8	BOLT, 316 SS, 1/4-20 X 3/8 HWH
16	2	BH 1/4 X 3	BOLT, 316 SS, 1/4-20 X 3 HCS
17	3	WL 1/4	LOCK WASHER, 1/4", 316 SS

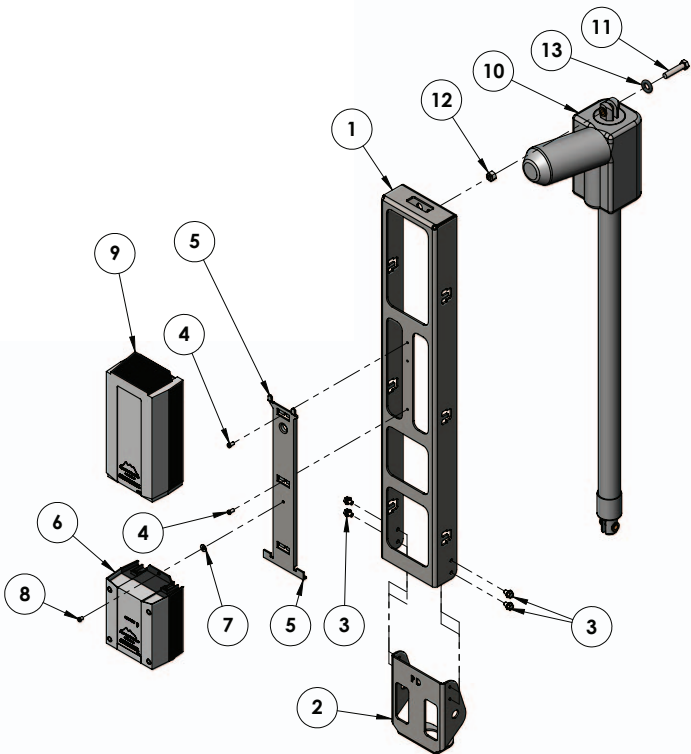
Item #	QTY	PART #	DESCRIPTION
18	7	WF 1/4	WASHER, FLAT, 1/4, 316 SS
19	14	NN 1/4	NUT, 316 SS, NYLOCK, 1/4"-20
20	2	BH 3/8 X 1-1/2	BOLT, 316 SS, 3/8-16 X 1 1/2 HCS
21	10	BC 3/8 X 2-1/2	BOLT, 316 SS, 3/8-16 X 2 1/2 FHSCS
22	2	BC 3/8 X 3	BOLT, 316 SS, 3/8-16 X 3 FHSCS
23	14	WF 3/8	WASHER, FLAT, 3/8, 316 SS
24	10	NN 3/8	NUT, 316 SS, NYLOCK, 3/8"-16
25	2	NNJ 3/8	NUT, 316 SS, NYLOCK, 3/8"-16, JAM NUT
26	2	SQR-1-1/2-10-14	CAP, PLASTIC, 1.5" SQUARE
27	1	NHJF 3/8	NUT, 316 SS, HEX, 3/8"-24, JAM NUT
28	1	P-985BB	COVER, PLASTIC, BALLAST WEIGHT COVER, BLUE
29	4	SPH 12 X 3/4	SCREW, 316 SS, #12 X 3/4" PHSMS
30	12	SSE 1/4 X 1-1/4	SCREW, 1/4"-20 X 1 1/4", SET SCREW
31	2	WWX-21 PLUG	TAPERED CAP, YELLOW
32	6	SQR-1-14-20	CAP, PLASTIC, 1"X1" SQUARE
33	12	WFE 1/4	WASHER, FENDER, 316 SS, 1/4 X 1

Seat Assembly Parts List



ITEM #	QTY	PART #	DESCRIPTION
1	1	P-901	CHAIR, PLASTIC, 18" BLUE
2	2	P-2100FLA-38	CHAIR II ARMREST TUBE
3	1	P-1208HSB	BRACKET, PLASTIC, HANDSET BRACKET
4	2	RUBBER HAND GRIP	GRIP, RUBBER HAND GRIP
5	2	SFL 12 X 3/4	SCREW, 316 SS, #12 X 3/4", FHSMS
6	4	WF 1/4	WASHER, FLAT, 1/4, 316 SS
7	2	BB 1/4 X 3-1/4	BOLT, 316 SS, 1/4-20 X 3 1/4 BHSCS
8	2	NN 1/4	NUT, 316 SS, NYLOCK, 1/4"-20
9	1	COTTER PIN, 1/4 X 3 1/4	PIN, COTTERLESS PIN, 18-8 SS, 1/4 X 3 3/4
10	1	LANYARD	LANYARD, FOR FOOTREST PIN, SS
11	1	SPH 10 X 3/4	SCREW, 316 SS, #10 X 3/4", PHSMS
12	1	F-38SB	SEATBELT, 2" WIDE W/ VELCRO

Actuator Assembly Parts List



ITEM #	QTY	PART #	DESCRIPTION
1	1	UHF-101-02	UNIVERSAL ACTUATOR FRAME
2	1	UHF-103-01	DEEP DRAFT ACTUATOR FRAME BRACKET
3	4	BHW 1/4 X 3/8	1/4"-20 X 3/8" HEX WASHER HEAD BOLT
4	2	BSH 10 X 3/8	10-24 X 3/8" SOCKET HEAD CAP SCREW
5	1	MBJ2-01	LINAK CONTROL BOX BRACKET
6	1	CBJ2-U022-00	LINAK CONTROL BOX
7	1	WF 10	#10 FLAT WASHER
8	1	M5 LPCS	CONTROL BOX SCREW
9	1	BAJ1-U022-00	LINAK 24 VOLT BATTERY
10	1	340643-00	LINAK ACTUATOR, LA-34
11	1	BH 3/8 X 1 3/4	3/8"-16 X 1 3/4" HEX BOLT
12	1	NN 3/8	3/8"-16 NYLOCK NUT
13	1	9452K205	GENERAL PURPOSE O-RING