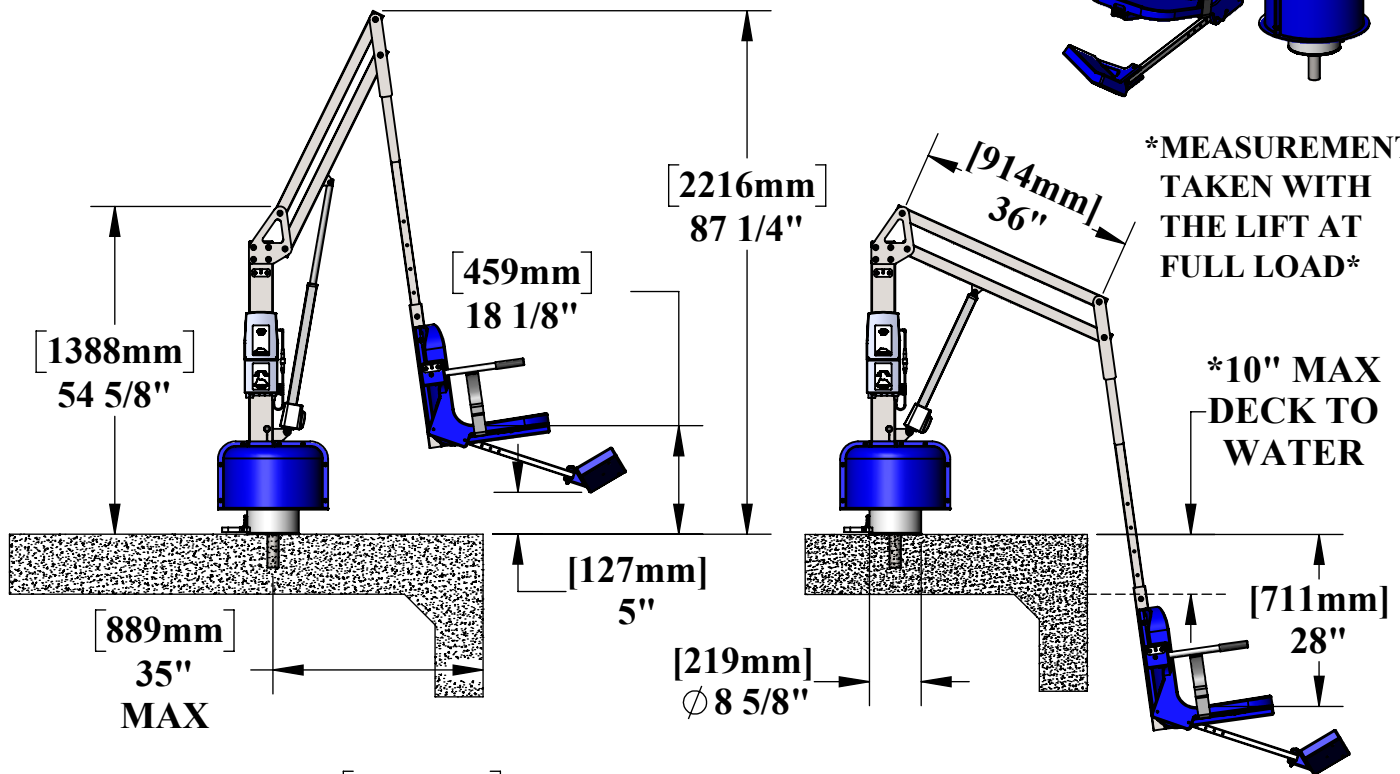
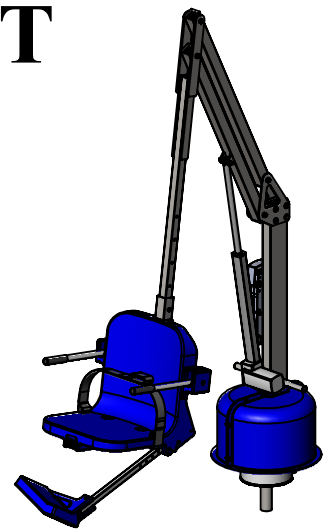


SCOUT 2 POOL LIFT

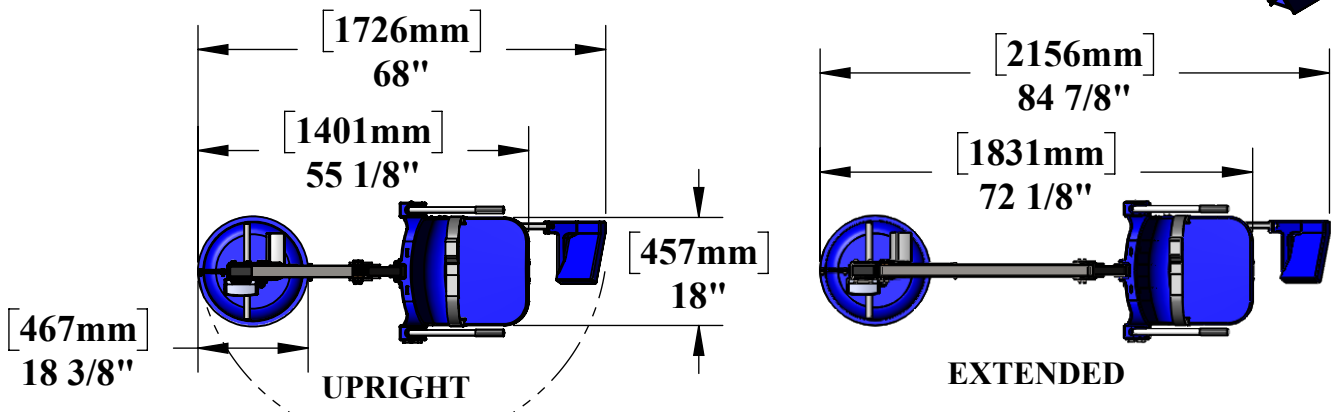
U.S. PATENT NO. D507,769 S

PRODUCT WEIGHT: 210lbs [95kg]
 MAX WEIGHT CAPACITY: 375lbs [170kg]
 MIN ANCHOR SETBACK: 19"
 MAX ANCHOR SETBACK: 35"
 MAX WATER DRAFT: *10"
 SEAT HEIGHT ADJUSTMENT: 16" IN 4" INCREMENTS
 ADA COMPLIANCE: THIRD PARTY VERIFIED BY WYLE LABS
 VERTICAL TRAVEL DISTANCE: 46"



MEASUREMENT TAKEN WITH THE LIFT AT FULL LOAD

*10" MAX DECK TO WATER



CONTINUOUS 360° ROTATION



9889 GARRYMORE LANE
 MISSOULA, MT 59808
 (406) 549-0769
 FAX (406) 549-2602

NOTE:
 *SPECIFICATIONS ARE SUBJECT TO CHANGE WITHOUT NOTICE

PRODUCT: SCOUT 2 LIFT	
PART #: F-802SC2	
SCALE: 1:32	DATE: 1/15/2018
DRAWN BY: KR	REVISION: A