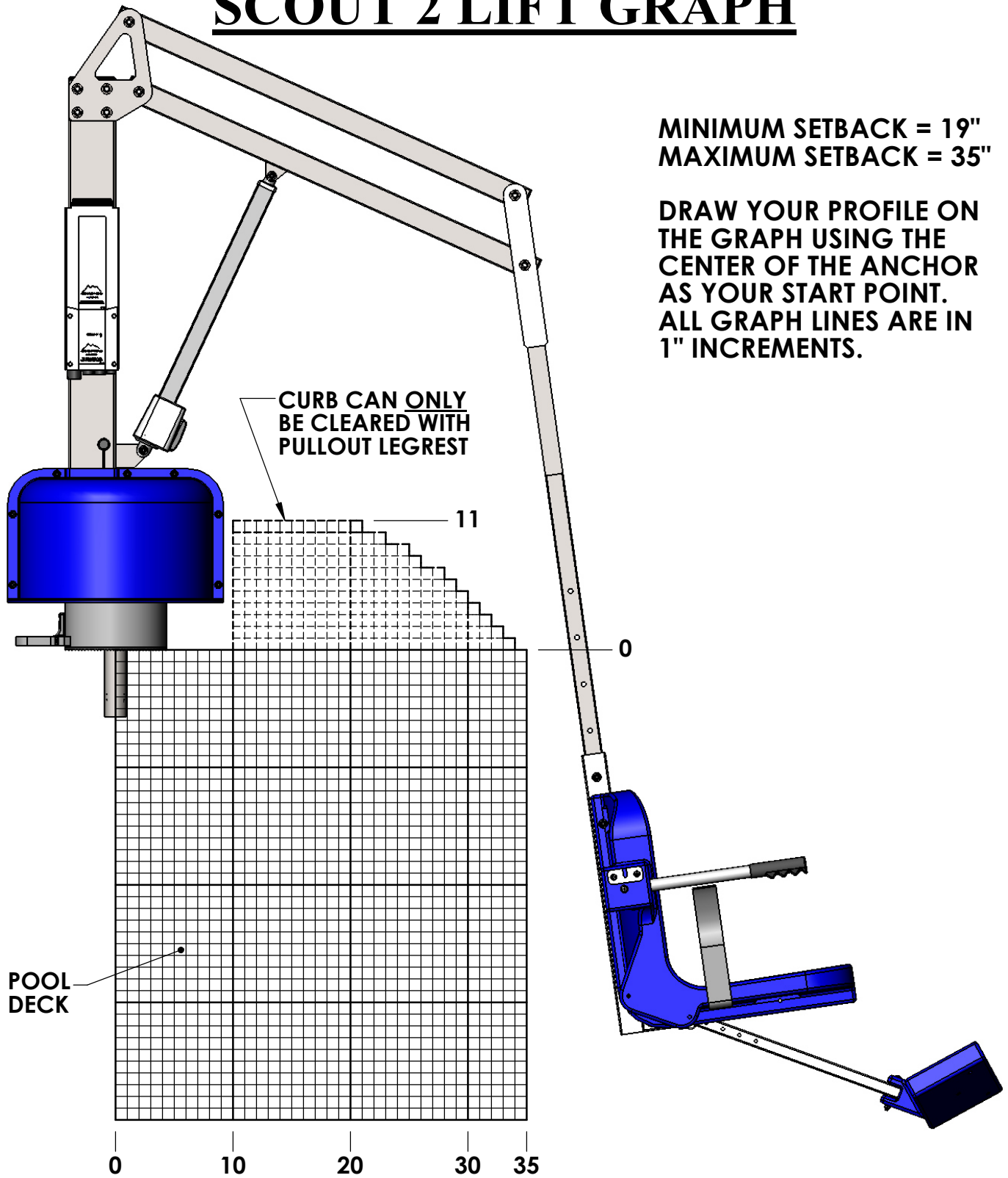


# SCOUT 2 LIFT GRAPH

MINIMUM SETBACK = 19"  
 MAXIMUM SETBACK = 35"

DRAW YOUR PROFILE ON THE GRAPH USING THE CENTER OF THE ANCHOR AS YOUR START POINT. ALL GRAPH LINES ARE IN 1" INCREMENTS.



SEAT ATTACHED AT LOWEST POSITION



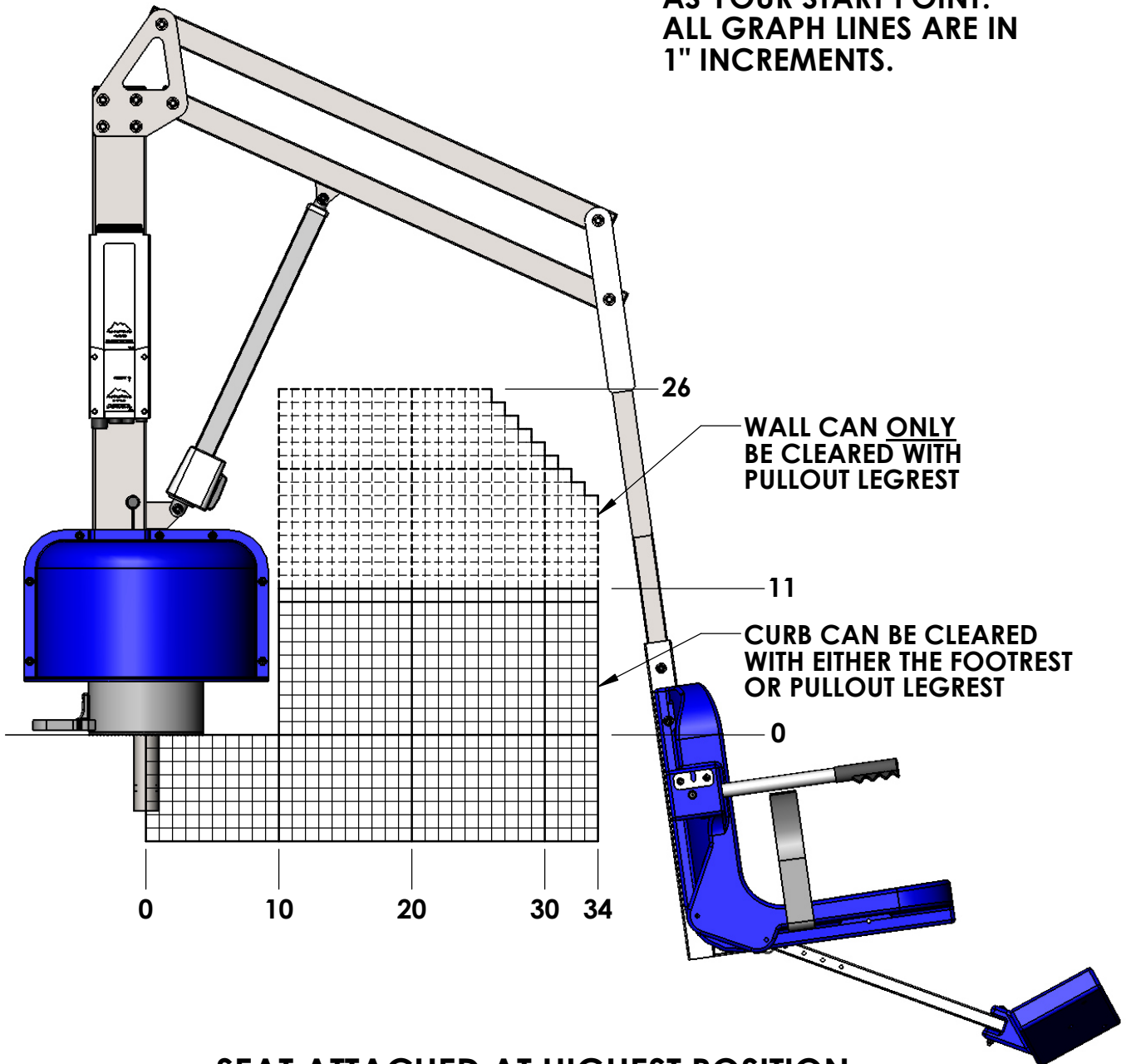
9889 GARRYMORE LANE  
 MISSOULA, MT 59808  
 (406) 549-0769  
 FAX (406) 549-2602

PRODUCT:		SCOUT 2	
PART #:		F-800SC2	
SCALE:	1:12	DATE:	12/23/2016
DRAWN BY:	KR	REVISION:	A

# SCOUT 2 LIFT GRAPH

MINIMUM SETBACK = 19"  
 MAXIMUM SETBACK = 34"

DRAW YOUR PROFILE ON THE GRAPH USING THE CENTER OF THE ANCHOR AS YOUR START POINT. ALL GRAPH LINES ARE IN 1" INCREMENTS.



**SEAT ATTACHED AT HIGHEST POSITION**



9889 GARRYMORE LANE  
 MISSOULA, MT 59808  
 (406) 549-0769  
 FAX (406) 549-2602

PRODUCT:		SCOUT 2	
PART #:		F-800SC2	
SCALE:	1:12	DATE:	12/23/2016
DRAWN BY:	KR	REVISION:	A