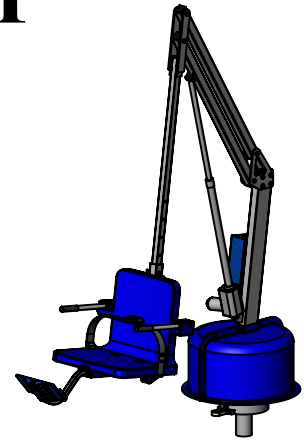


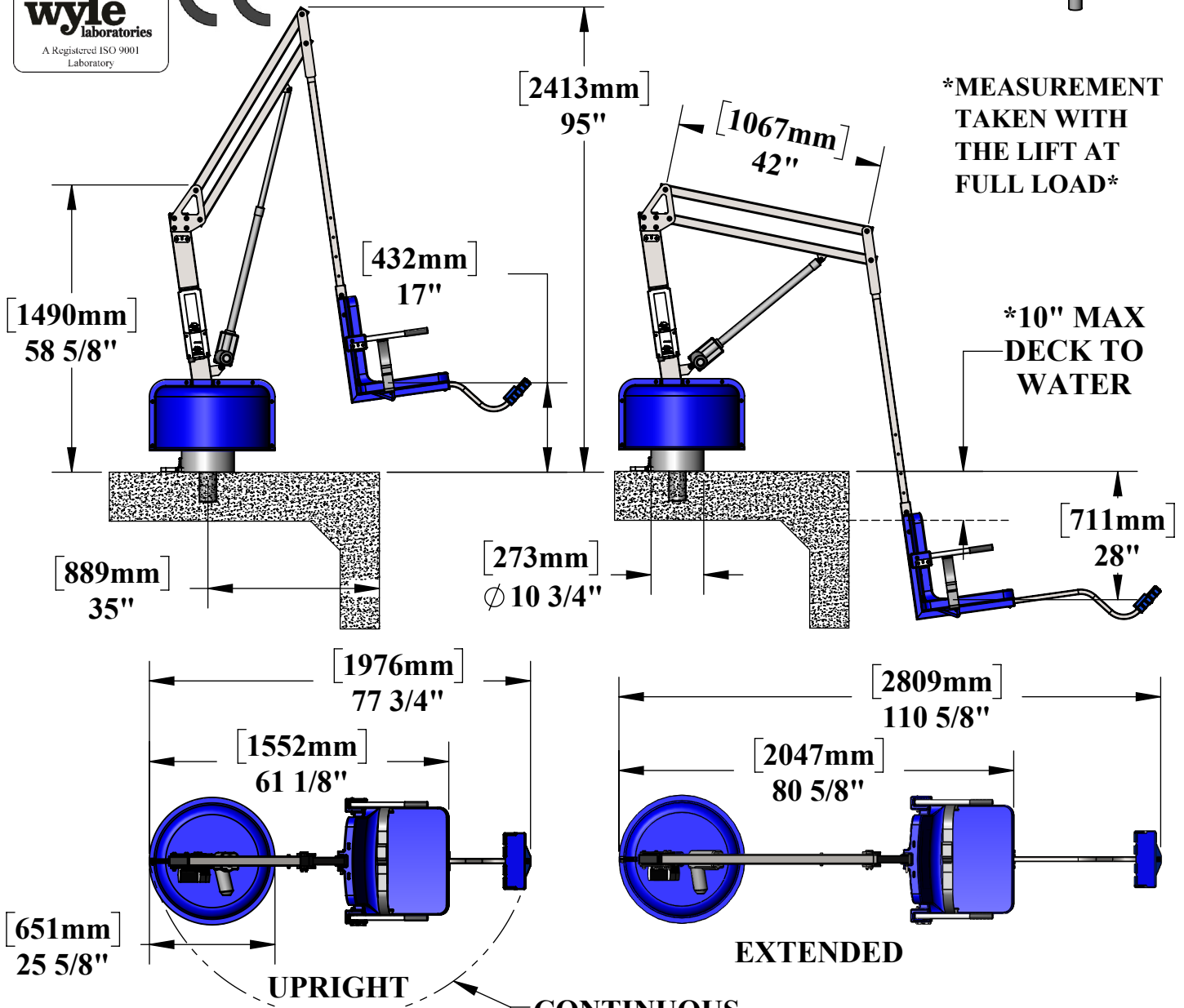
TITAN POOL LIFT

U.S. PATENT NO. D507,769 S

PRODUCT WEIGHT: 300lbs [136kg]
MAX WEIGHT CAPACITY: 600lbs [272kg]
MIN ADA ANCHOR SETBACK: 21"
MAX ANCHOR SETBACK: 35"
MAX WATER DRAFT: *10"
SEAT HEIGHT ADJUSTMENT: 16" IN 4" INCREMENTS
ADA COMPLIANCE: THIRD PARTY VERIFIED BY WYLE LABS
VERTICAL TRAVEL DISTANCE: 44"



Inspected And Verified To Meet
 Applicable Sections of ADA
 Guidelines Section 1009.2 By
wyle
 laboratories
 A Registered ISO 9001
 Laboratory



**CONTINUOUS
 360° ROTATION**

9889 GARRYMORE LANE
 MISSOULA, MT 59808
 (406) 549-0769
 FAX (406) 549-2602

NOTE:
 *SPECIFICATIONS ARE SUBJECT TO CHANGE WITHOUT NOTICE



PRODUCT:	TITAN LIFT	
PART #:	F-600TLNA	
SCALE:	1:32	DATE: 6/14/2019
DRAWN BY:	KR	REVISION: 02