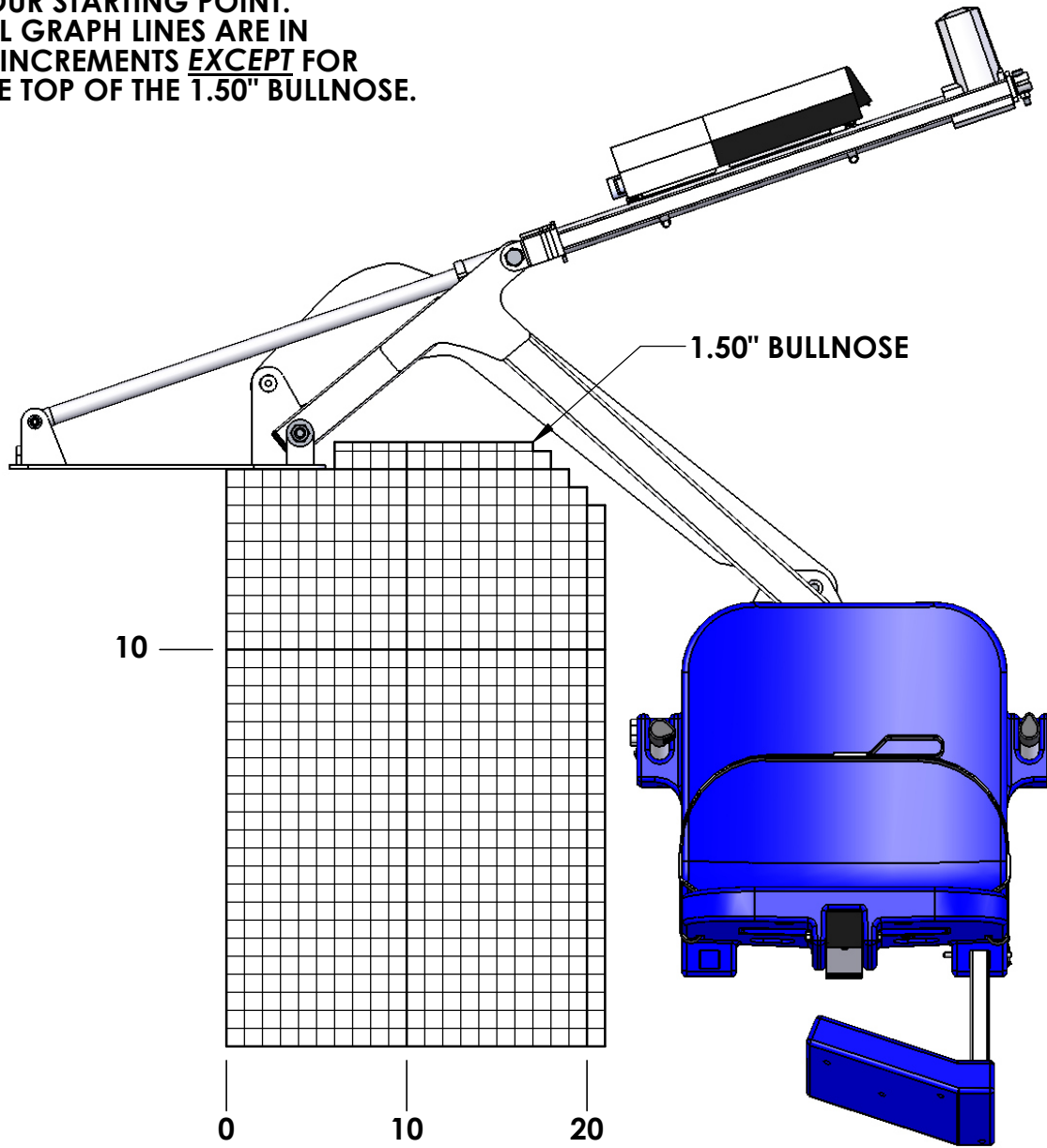


# RANGER-AT LIFT GRAPH

MINIMUM SETBACK = 14.5"  
 MAXIMUM SETBACK = 19"

DRAW YOUR PROFILE ON THE GRAPH USING THE FRONT ANCHOR LOCATION AS YOUR STARTING POINT. ALL GRAPH LINES ARE IN 1" INCREMENTS EXCEPT FOR THE TOP OF THE 1.50" BULLNOSE.



9889 GARRYMORE LANE  
 MISSOULA, MT 59808  
 (406) 549-0769  
 FAX (406) 549-2602

PRODUCT:		RANGER-AT	
PART #:		F-411RPL-AT	
SCALE:	1:10	DATE:	12/23/2016
DRAWN BY:	KR	REVISION:	A