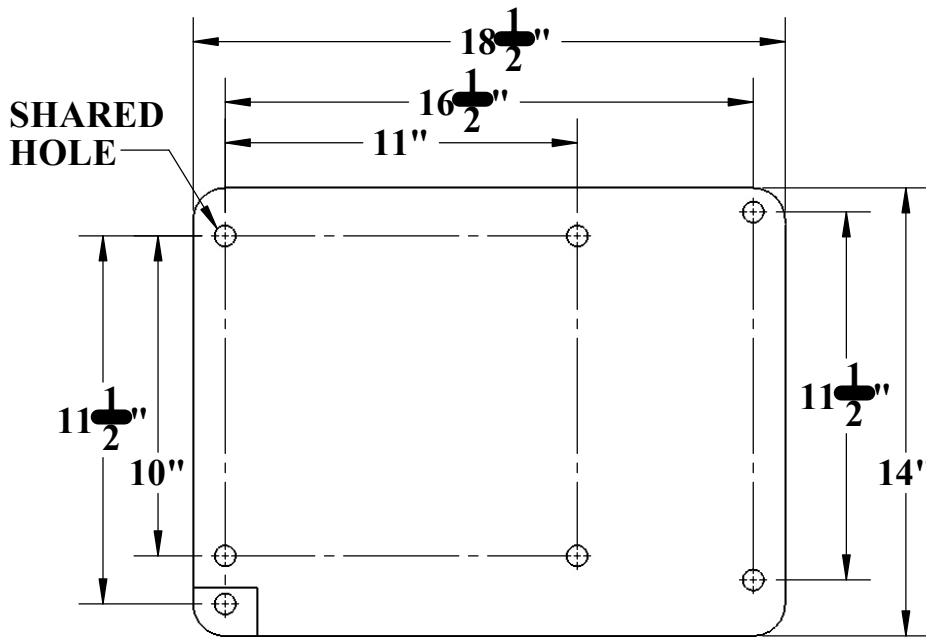


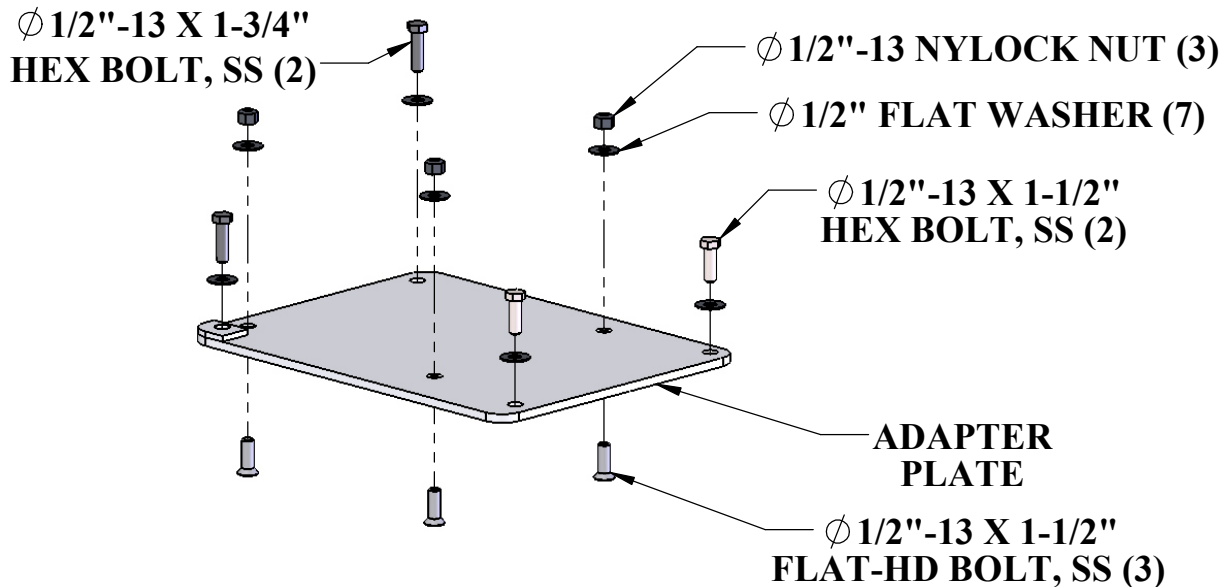
AT-SERIES ADAPTER PLATE



AT ADAPTER ON PRO POOL-AT

ADAPTS OLD-STYLE PRO POOL ANCHOR TO NEW AT-SERIES ANCHOR PATTERN;

**10" X 11" PATTERN FITS NEW AT-SERIES LIFTS*.
11-1/2" X 16-1/2" FITS OLD-STYLE PRO POOL.
UPPER-LEFT HOLE IS SHARED.**



***INCLUDES PRO POOL-AT, PRO POOL-AT REVERSE, PRO POOL-AT EXTENDED BASE & RANGER-AT**



9889 GARRYMORE LANE
MISSOULA, MT 59808
(406) 549-0769
FAX (406) 549-2602

NOTE:
*SPECIFICATIONS ARE SUBJECT TO CHANGE WITHOUT NOTICE

PRODUCT:	F-04ATAP	
DWG #:	F-04ATAP-1	
SCALE:	VARIES	DATE: 12/19/2016
DRAWN BY:	KR	REVISION: B