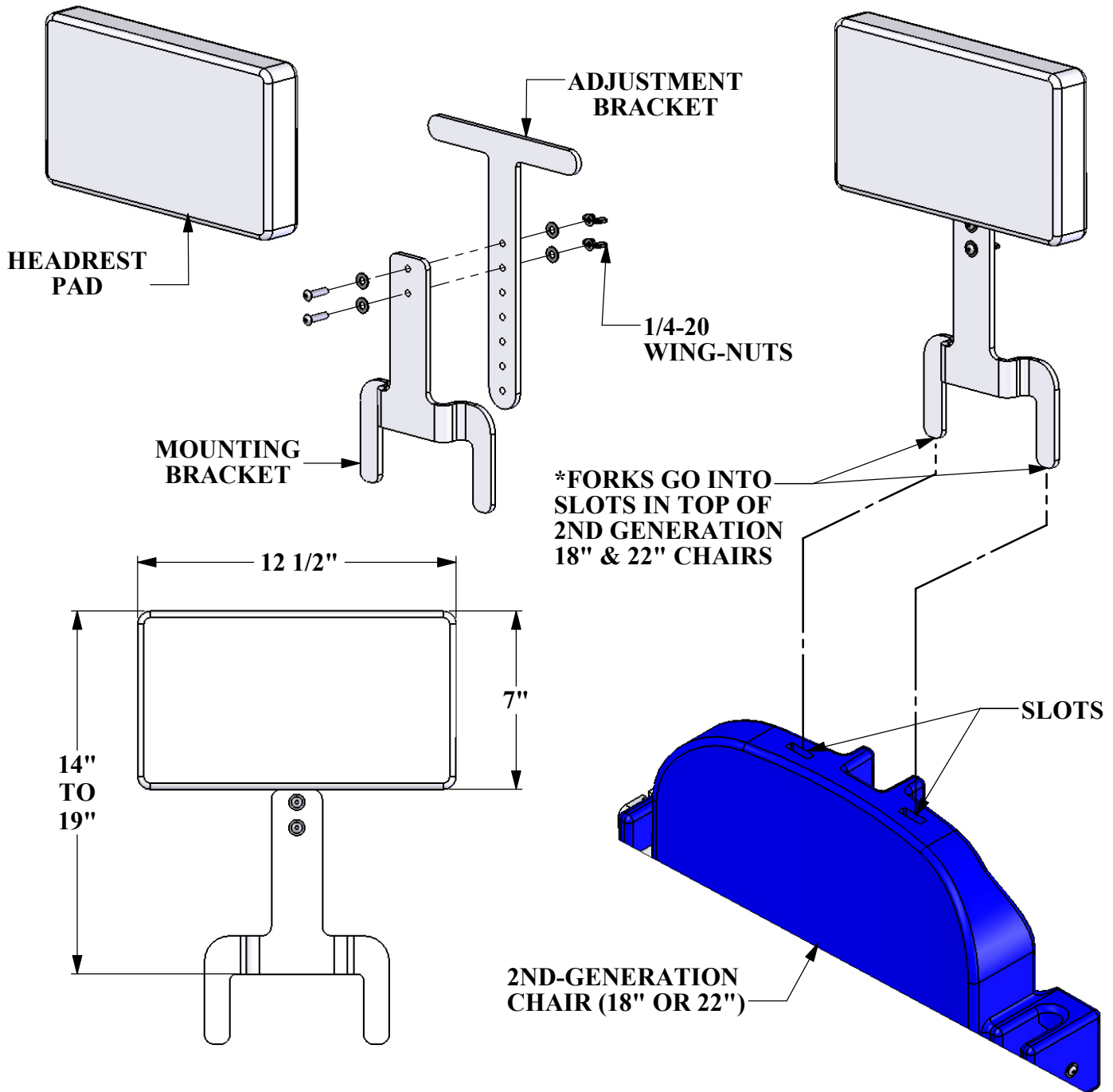


HEADREST ASSEMBLY



SPECIFICATIONS

THE OPTIONAL HEADREST SHALL ALLOW THE USER TO COMFORTABLY REST HIS OR HER HEAD WHILE OPERATING THE PRO POOL LIFT. THE HEADREST FRAME SHALL BE CONSTRUCTED OF TYPE 304 STAINLESS STEEL. THE HEADREST PAD SHALL BE CONSTRUCTED OF CLOSED-CELL FOAM WITH A WHITE VINYL COVER.

*THE OPTIONAL HEADREST CAN BE MOUNTED TO ALL 18" & 22" WIDE 2ND-GENERATION CHAIRS. FOR 1ST GENERATION CHAIRS (18", NO SLOTS IN TOP) USE F-422PLH HEADREST.



9889 GARRYMORE LANE
 MISSOULA, MT 59808
 (406) 549-0769
 FAX (406) 549-2602

NOTE:
 *SPECIFICATIONS ARE SUBJECT TO CHANGE WITHOUT NOTICE

PRODUCT:	F-422PLH-2	
DWG #:	F-422PLH-2-1	
SCALE:	1:6	DATE: 1/13/2017
DRAWN BY:	KR	REVISION: A