

24V SOLAR CHARGER POWER EZ 2 LIFT

SPECIFICATIONS:

OPERATING VOLTAGE (MAX): 35VDC

OPERATING CURRENT (MAX): 225mA

HEIGHT: 36" [2032mm]

WIDTH: 14" [355.6mm]

DEPTH: 14" [355.6mm]

WEIGHT: 10lbs [4.5kg]

FRAME MATERIAL: TYPE 304 S.S.

SOLAR PANELS: TWO (2) 12V, 4W

THIN-FILM (CIGS).

CHARGE CONTROLLER:

PROTECTION RATING: IP68

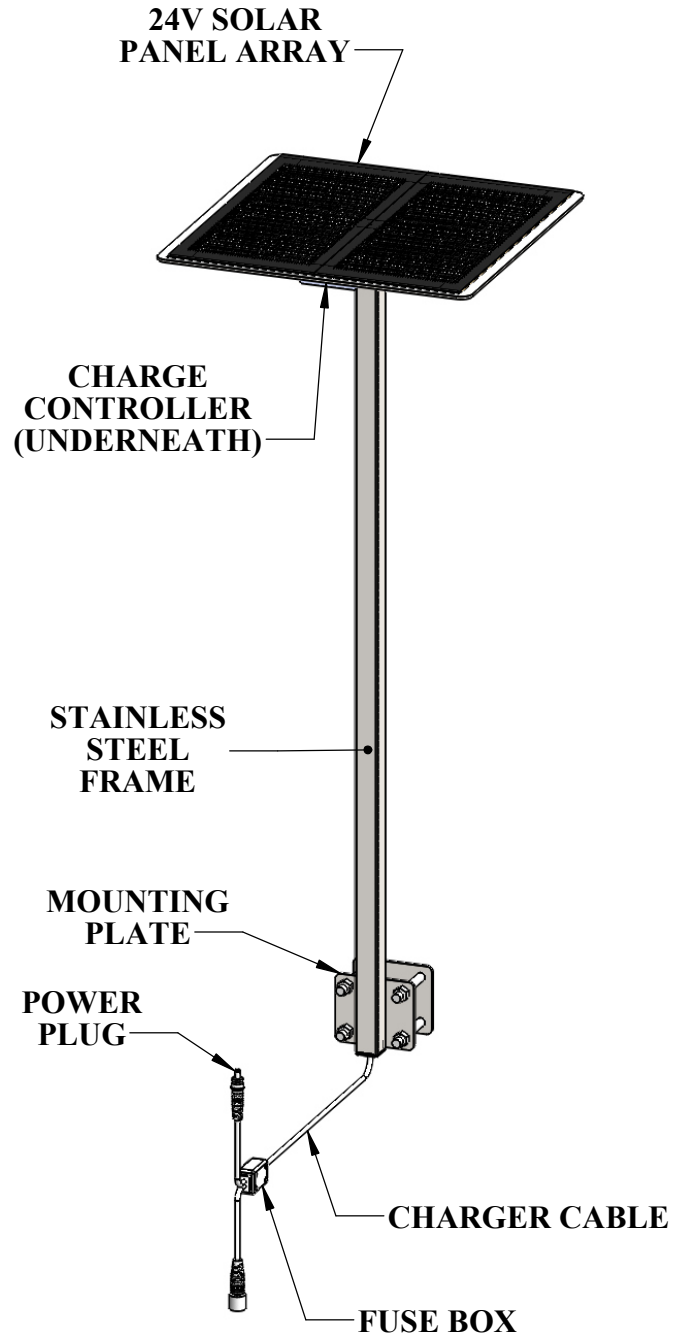
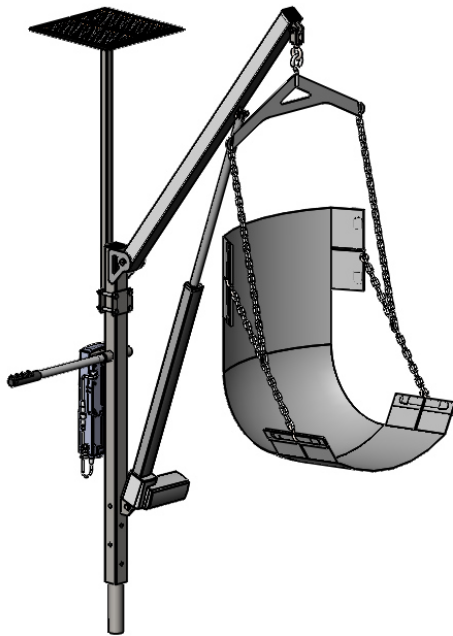
[CONTROLLER: 1.5m 72 HOURS]

SHORT-CIRCUIT PROTECTION

REVERSE POLARITY DETECTION

OVERCHARGE DETECTION

(PREVENTS BATTERY DAMAGE)



9889 GARRYMORE LANE
MISSOULA, MT 59808
(406) 549-0769
FAX (406) 549-2602

NOTE:

*SPECIFICATIONS ARE SUBJECT TO CHANGE WITHOUT NOTICE

PRODUCT: POWER EZ 2 SOLAR CHARGER	
DWG #:	F-047SCH
SCALE:	1:24
DATE:	2/10/2017
DRAWN BY:	EF
REVISION:	A