

Integrated Headrest

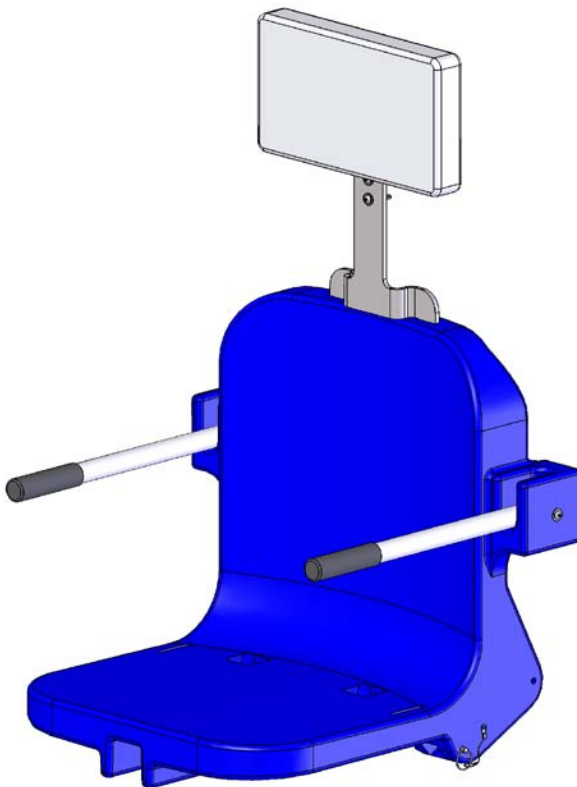
PART #: F-422PLH-2

MANDATORY

LEAVE THIS MANUAL WITH LIFT OWNER

Read and follow all instructions.
Lift safety can only be ensured if the lift is installed and operated according to these instructions.

- NEVER permit children to play on or around the lift
- Do not allow children to use the lift without adult supervision
- NEVER apply direct water pressure to the electronics
- NEVER use the lift with a dry pool



READ CAREFULLY

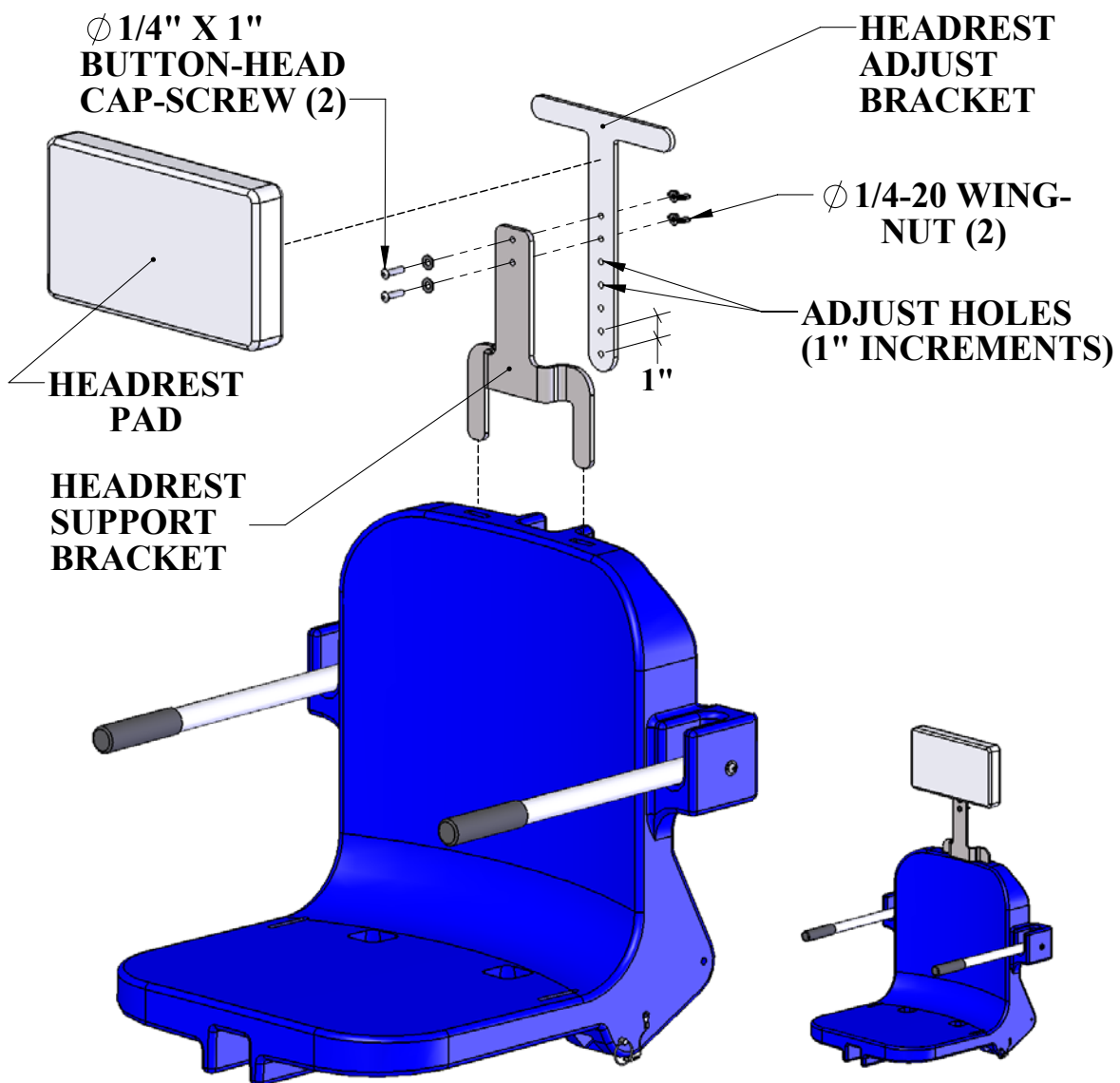
Check entire box and all packing materials for parts. Before beginning assembly, read the instructions and identify parts using the figures and parts listed in this document.

It is critical that all parts be carefully inspected prior to installation. If any damage occurred in transit, Aqua Creek Products, LLC must be notified within three days of receipt of unit.

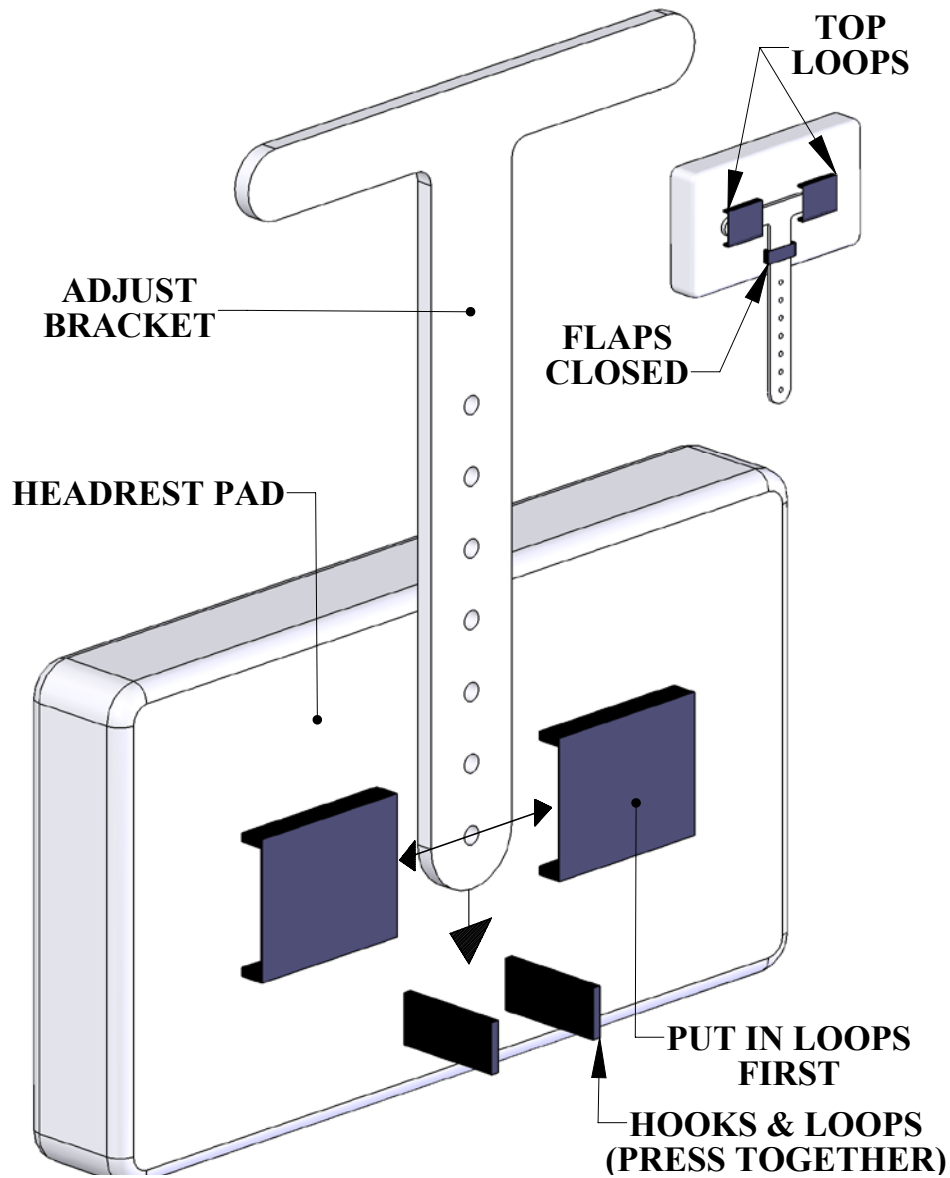
Proper installation cannot be overstressed, as an improper installation voids Aqua Creek's warranty and may affect the safety of the user.

The Integrated Headrest Assembly

The INTEGRATED HEADREST ASSEMBLY attaches directly to the chair assembly, and is adjustable for optimum comfort. The components of the INTEGRATED HEADREST ASSEMBLY are shown below, along with the chair to show how it attaches. The wing-nuts allow for quick adjustment without having to remove the assembly from the chair. The headrest pad is also removable for cleaning. Look over the diagram below to familiarize yourself with the components before installing and using the INTEGRATED HEADREST ASSEMBLY.



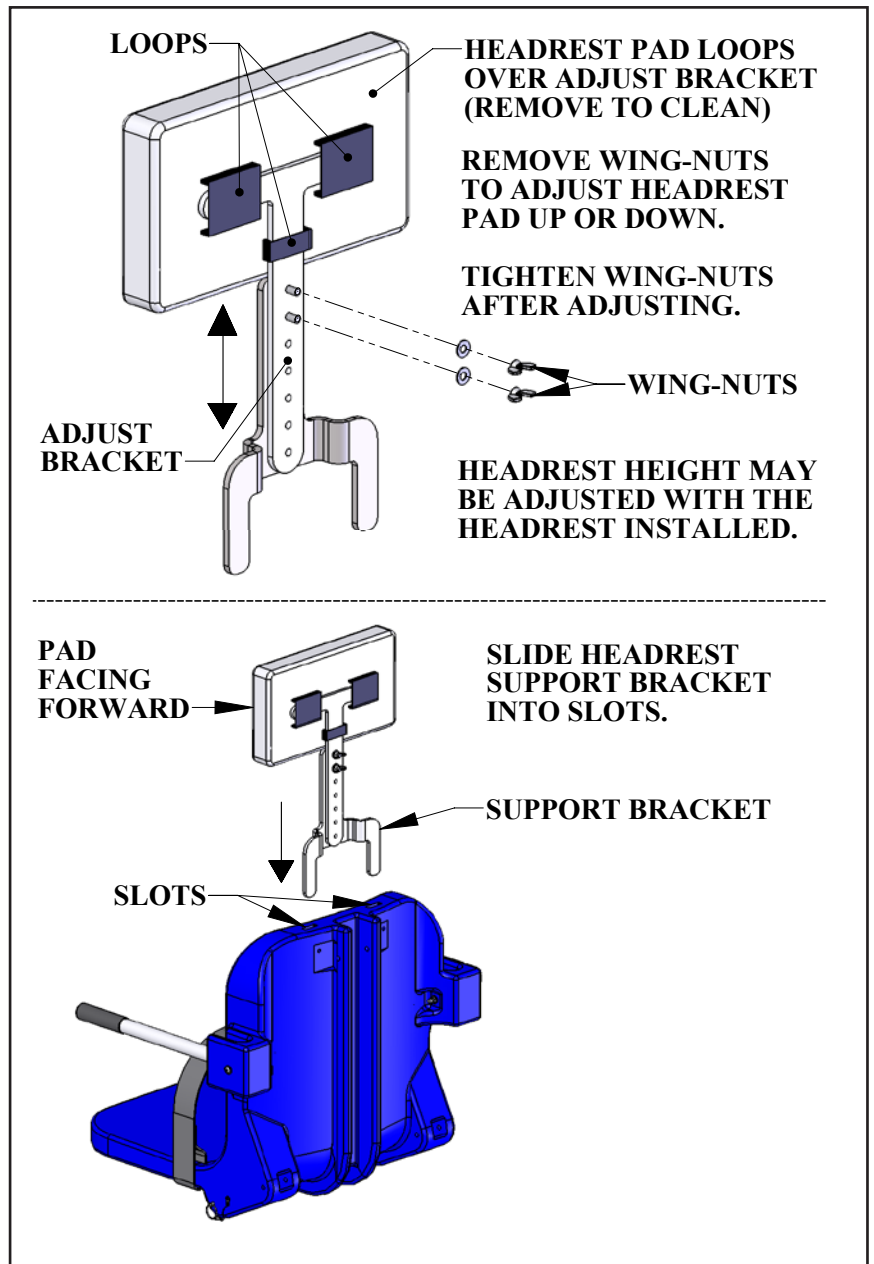
Installing The Headrest Pad



The **ADJUST BRACKET** must be removed from the assembly to install or remove the **HEADREST PAD**. When installing the pad thread the bracket through the middle loop first and slide the pad up to the top loops. Thread the bracket through the top loops (one at a time) to complete the installation. To remove the pad, reverse this procedure.

Installing The Headrest Assembly

1] If the HEADREST PAD has not yet been installed, install it first. The pad height may be adjusted now, or after the assembly has been attached to the chair. Assemble fully as shown in the diagram to the right.



2] Slide the SUPPORT BRACKET into the slots on the top of the chair.

The INTEGRATED HEADREST ASSEMBLY is now ready to adjust and use.

NOTE: The INTEGRATED HEADREST ASSEMBLY will work on all 2nd generation 18" wide Aqua Creek Products' chairs*. The 18" chair comes standard on all Aqua Creek Products' Scout™, Ranger™, Pro Pool™ and Patriot™ pool lifts.

*(The 2nd generation 18" wide chair has the slots for the INTEGRATED HEADREST, where the 1st generation 18" wide chair does not).