

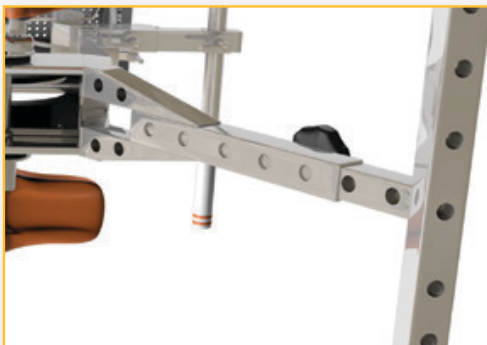
WATER RIDER 4

Item# F-WX4S

The Water Rider 4 is for people who want an intense workout. The pedaling system gives users the ability to choose between four resistance levels. The Water Rider 4's seat and handlebars are adjustable in two directions to fit most individuals. The bike's height can also be adjusted to accommodate different pool depths and slopes. Adjustments are easily made with the turn of a lever. The brushed stainless steel finish can withstand harsh pool environments and requires little maintenance. The Water Rider 4 combines fun and fitness for a more intense workout.

FEATURES:

- 330 lb (150 kg) weight capacity
- Adjustable intensity
- Barefoot use
- Adjustable height, seat & handlebar
- Drains quickly (3 seconds)
- Excellent stability
- Lightweight, easy to move
- Scratch resistant wheels
- Two year warranty on metal frame, six months on all other components



**Perforated Drain Holes
(bottom view)**



Adjustable Resistance Blades

SPECIFICATIONS:

- 100% stainless steel frame
- Anti-corrosion treatment
- Recommended pool depth:
4 ft - 5 ft (1.2 m - 1.5 m)
- Weight: 49 lb (22 kg)
- Max dimensions: L 22" x W 38" x H 62"
(55 cm x 96 cm x 157 cm)

PROUDLY SOLD BY: